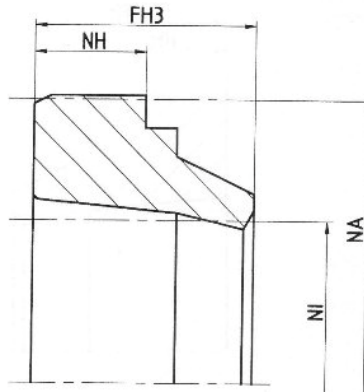


Seal Data Sheet Applies to Profile: A1

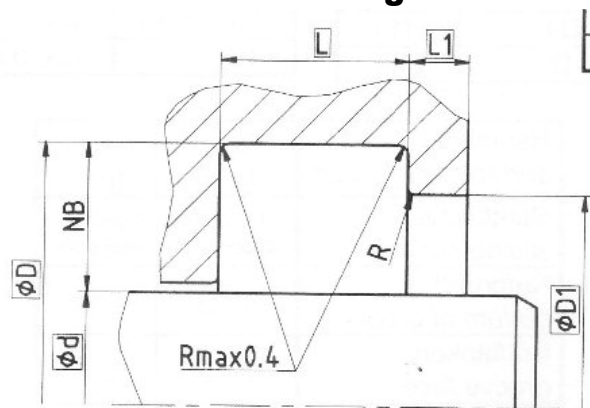


Operating Parameters:

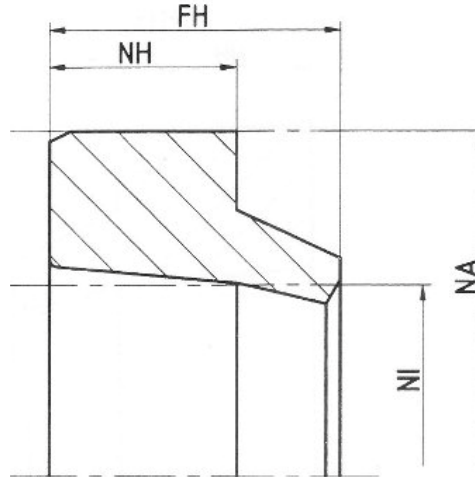
Material	Temperature	Max. Surface Speed
H-PUR	-20 C...+115 C	4 m/s
ECOPUR	-30 'C ... +110 'c	4 m/s
H-ECOPUR	-20 'C ... +110 'c	4 m/s
Nitrile Rubber (NBR)	-30 'C ... +100 'c	4 m/s
Viton Rubber	-20 'C ... +200 'c	4 m/s
EPDM Rubber	-50 'C ... +150'c	4 m/s
PTFE	-200 'C ... +200 'C	4 m/s

The stated operation conditions represent general indications. It is recommended not to use all maximum values simultaneously. Surface speed limits apply only to the presence of adequate lubrication film.

Seal Housing:



Seal Data Sheet Applies to Profile: A2

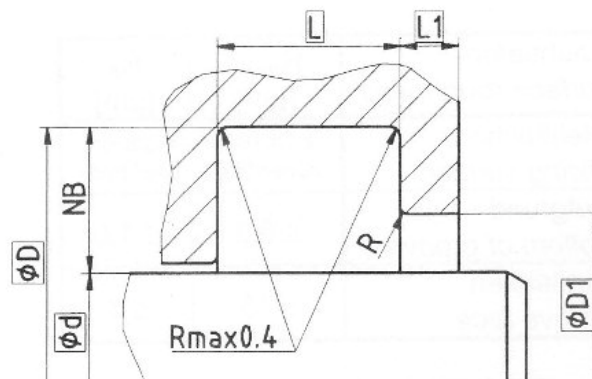


Operating Parameters:

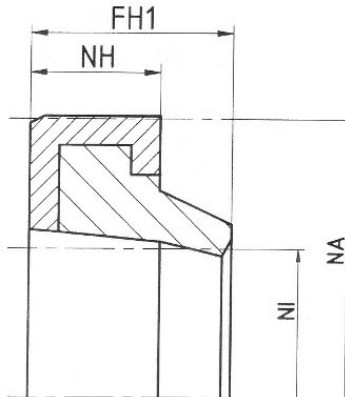
Material	Temperature	Max. Surface Speed
H-PUR	20 'C ... +110 'c	4m/s
ECOPUR	-30 'C ... +110 'c	4 m/s
H-ECOPUR	-20 'C ... +110 'c	4 m/s
Nitrile Rubber (NBR)	-30 'C ... +100 'c	4 m/s
Viton Rubber	-20 'C ... +200 'c	4 m/s
EPDM Rubber	-50 'C ... +150 'c	4 m/s
PTFE	-200 'C ... +200 'C	4 m/s

The stated operation conditions represent general indications. It is recommended not to use all maximum values simultaneously. Surface speed limits apply only to the presence of adequate lubrication film.

SEAL HOUSING



Seal Data Sheet Applies to Profile: A3

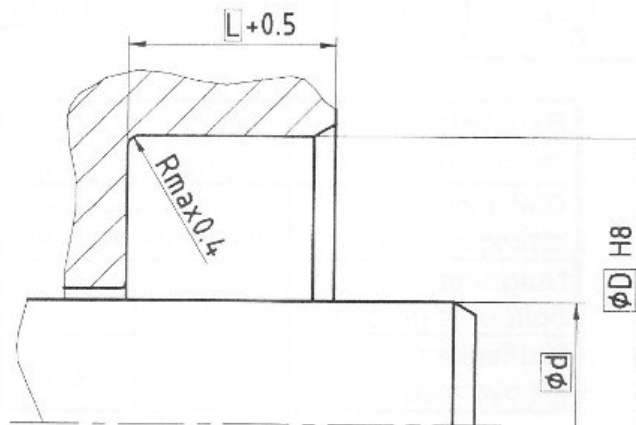


Operating Parameters:

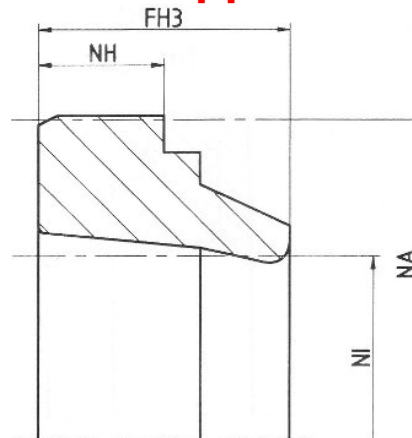
Wiping Part	Housing	Temperature	Max. Surface Speed
H-PUR		-20 C ..+80 C	4M/S
ECOPUR	Cast Nylon/PTFE	-30 'C ... +80 'c	4 m/s
H-ECOPUR		-20 'C ... +80 'c	4 m/s
Nitrile Rubber (NBR)		-30 'C ... +80 'c	4 m/s
EPDM Rubber		-50 'C ... +80 'c	4 m/s
Viton Rubber		-50 'C ... +80 'c	4 m/s

The stated operation conditions represent general indications. It is recommended not to use all maximum values simultaneously. Surface speed limits apply only to the presence of adequate lubrication film.

SEAL HOUSING



Seal Data Sheet Applies to Profile: A4

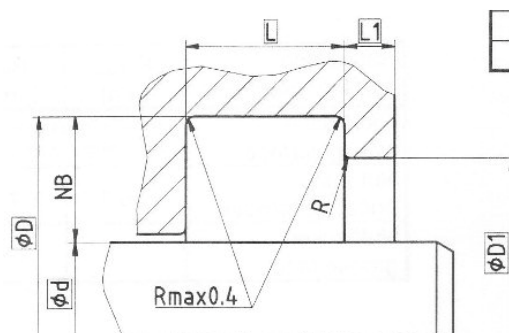


Operating Parameters:

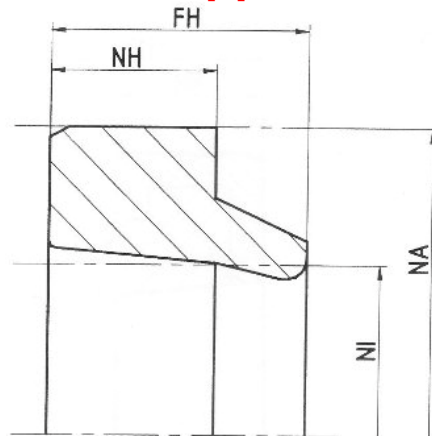
Material	Temperature	Max. Surface Speed
H-PUR	20 'C ... +110 'c	4 m/s
ECOPUR	-30 'C ... +110 'c	4 m/s
H-ECOPUR	-20 'C ... +110 'c	4 m/s
Nitrile Rubber (NBR)	-30 'C ... +80 'c	4 m/s
Viton Rubber	-20 'C ... +200 'c	4 m/s
EPDM Rubber	-50 'C ... +150 'c	4 m/s
PTFE	-200 'C ... +200 'c	4 m/s

The stated operation conditions represent general indications. It is recommended not to use all maximum values simultaneously. Surface speed limits apply only to the presence of adequate lubrication film.

SEAL HOUSING



Seal Data Sheet Applies to Profile: A5

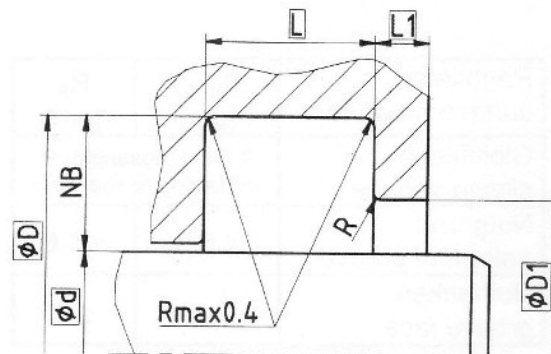


Operating Parameters:

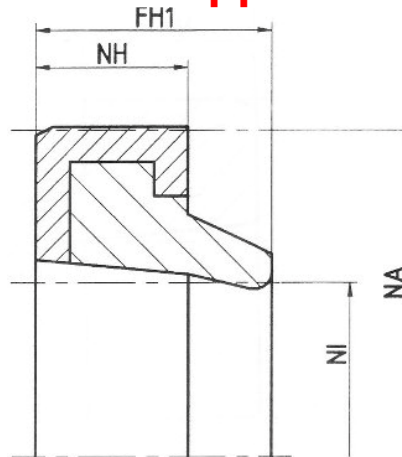
Material	Temperature	Max. Surface Speed
H-PUR	20 'C ... +110 'c	4m/s
ECOPUR	-30 'C ... +110 'c	4 m/s
H-ECOPUR	-20 'C ... +110 'c	4 m/s
Nitrile Rubber (NBR)	-30 'C ... +80 'c	4 m/s
Viton Rubber	-20 'C ... +200 'c	4 m/s
EPDM Rubber	-50 'C ... +150 'c	4 m/s
PTFE	-200 'C ... +200 'c	4 m/s

The stated operation conditions represent general indications. It is recommended not to use all maximum values simultaneously. Surface speed limits apply only to the presence of adequate lubrication film.

SEAL HOUSING



Seal Data Sheet Applies to Profile: A6

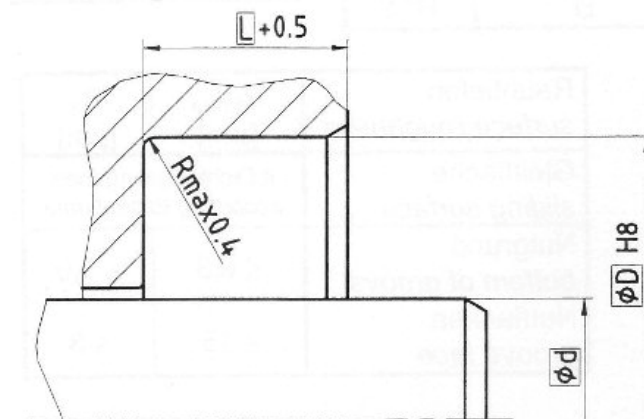


Operating Parameters:

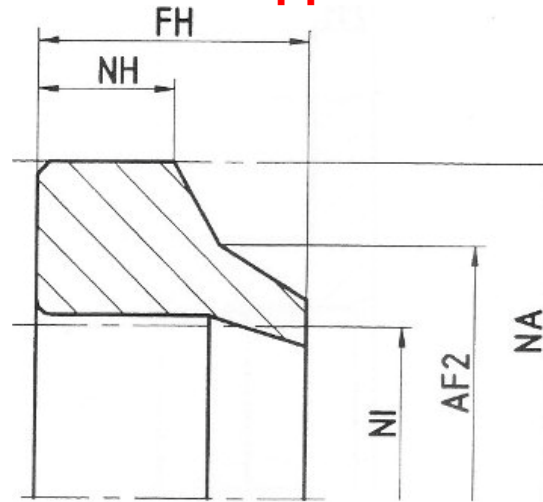
Wiping Part	Housing	Temperature	Max. Surface Speed
H-PUR	Cast Nylon/PTFE	20 'C ... +80 'c	4 m/s
ECOPUR		-30 'C ... +80 'c	4 m/s
H-ECOPUR		-20 'C ... +80 'c	4 m/s
Nitrile Rubber (NBR)		-30 'C ... +80 'c	4 m/s
EPDM Rubber		-50 'C ... +80 'c	4 m/s
Viton Rubber		-50 'C ... +80 'c	4 m/s

The stated operation conditions represent general indications. It is recommended not to use all maximum values simultaneously. Surface speed limits apply only to the presence of adequate lubrication film.

SEAL HOUSING



Seal Data Sheet Applies to Profile: A7

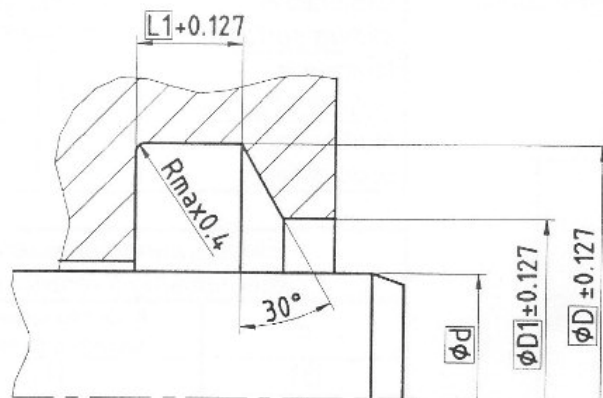


Operating Parameters:

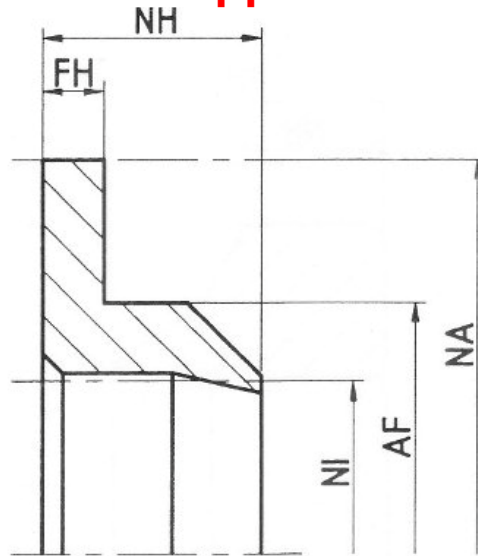
Material	Temperature	Max. Surface Speed
H-PUR	20 'C ... +110 'c	4m/s
ECOPUR	-30 'C ... +110 'c	4 m/s
H-ECOPUR	-20 'C ... +110 'c	4 m/s
Nitrile Rubber (NBR)	-30 'C ... +100 'c	4 m/s
Viton Rubber	-20 'C ... +200 'c	4 m/s
EPDM Rubber	-50 'C ... +150 'c	4 m/s
PTFE	-200 'C ... +200 'c	4 m/s

The stated operation conditions represent general indications. It is recommended not to use all maximum values simultaneously. Surface speed limits apply only to the presence of adequate lubrication film.

SEAL HOUSING



Seal Data Sheet Applies to Profile: A8

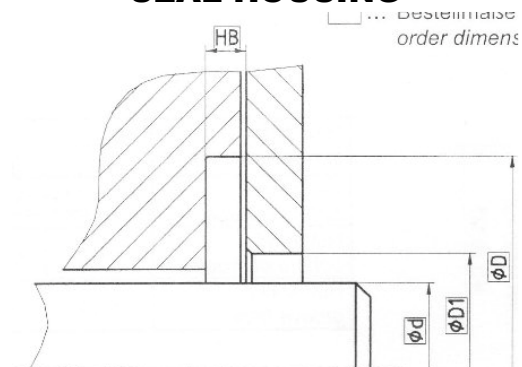


Operating Parameters:

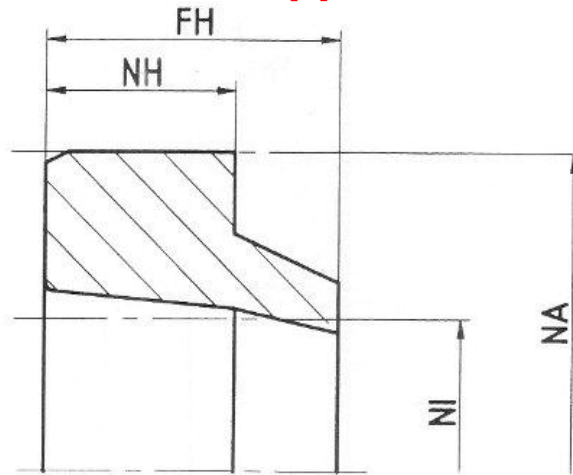
Material	Temperature	Max. Surface Speed
H-PUR	-20 'C ... +110 'c	4 m/s
ECOPUR	-30 'C ... +110 'c	4 m/s
H-ECOPUR	-20 'C ... +110 'c	4 m/s
Nitrile Rubber (NBR)	-30 'C ... +100 'c	4 m/s
Viton Rubber	-20 'C ... +200 'c	4 m/s
EPDM Rubber	-50 'C ... +150 'c	4 m/s
PTFE	-200 'C ... +200 'c	4 m/s

The stated operation conditions represent general indications. It is recommended not to use all maximum values simultaneously. Surface speed limits apply only to the presence of adequate lubrication film.

SEAL HOUSING



Seal Data Sheet Applies to Profile: A9

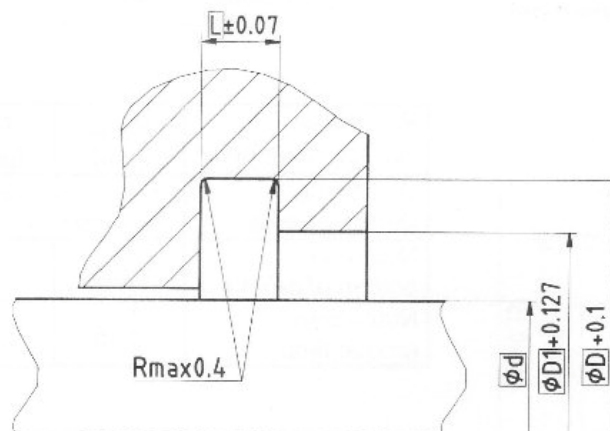


Operating Parameters:

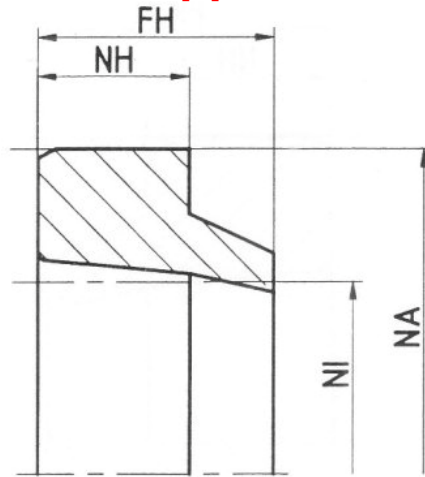
Material	Temperature	max. surface speed
H-PUR	-20 'C ... +110 'c	4 m/s
ECOPUR	-30 'C ... +110 'c	4 m/s
H-ECOPUR	-20 'C ... +110 'c	4 m/s
Nitrile Rubber (NBR)	-30 'C ... +100 'c	4 m/s
Viton Rubber	-20 'C ... +200 'c	4 m/s
EPDM Rubber	-50 'C ... +150 'c	4 m/s
PTFE	-200 'C ... +200 'c	4 m/s

The stated operation conditions represent general indications. It is recommended not to use all maximum values simultaneously. Surface speed limits apply only to the presence of adequate lubrication film.

SEAL HOUSING



Seal Data Sheet Applies to Profile: A10

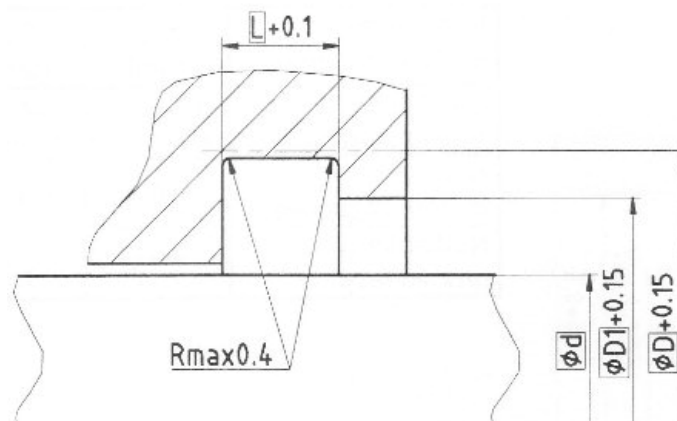


Operating Parameters:

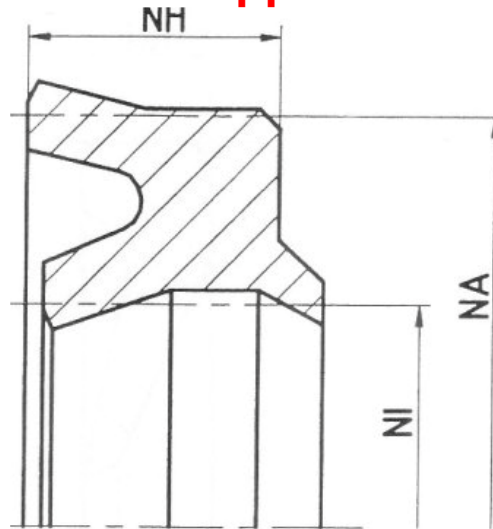
Material	Temperature	Max. Surface Speed
H-PUR	-20 'C ... +110 'c	4 m/s
ECOPUR	-30 'C ... +110 'c	4 m/s
H-ECOPUR	-20 'C ... +110 'c	4 m/s
Nitrile Rubber (NBR)	-30 'C ... +100 'c	4 m/s
Viton Rubber	-20 'C ... +200 'c	4 m/s
EPDM Rubber	-50 'C ... +150 'c	4 m/s
PTFE	-200 'C ... +200 'c	4 m/s

The stated operation conditions represent general indications. It is recommended not to use all maximum values simultaneously. Surface speed limits apply only to the presence of adequate lubrication film.

SEAL HOUSING



Seal Data Sheet Applies to Profile: A11

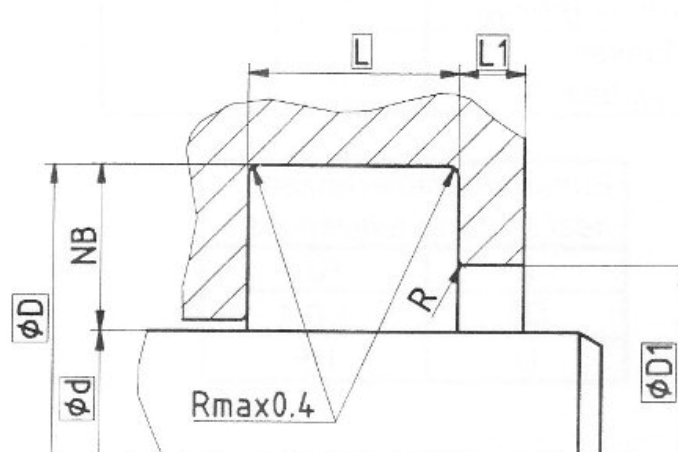


Operating Parameters:

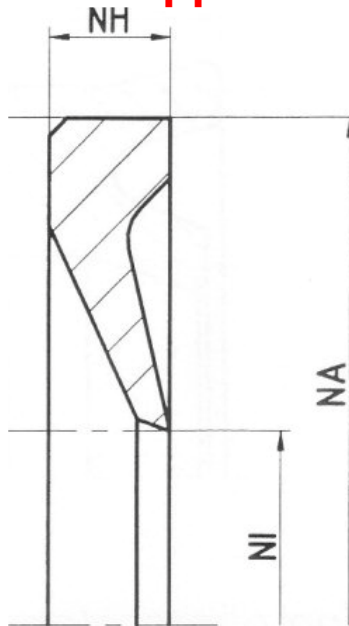
Material	Temperature	max. surface speed
H-PUR	-20 'C ... +110 'c	1 m/s
ECOPUR	-30 'C ... +110 'c	1 m/s
H-ECOPUR	-20 'C ... +110 'c	1 m/s
Nitrile Rubber (NBR)	-30 'C ... +100 'c	1 m/s
Viton Rubber	-20 'C ... +200 'c	1 m/s
EPDM Rubber	-50 'C ... +150 'c	1 m/s

The stated operation conditions represent general indications. It is recommended not to use all maximum values simultaneously. Surface speed limits apply only to the presence of adequate lubrication film.

SEAL HOUSING



Seal Data Sheet Applies to Profile: A13

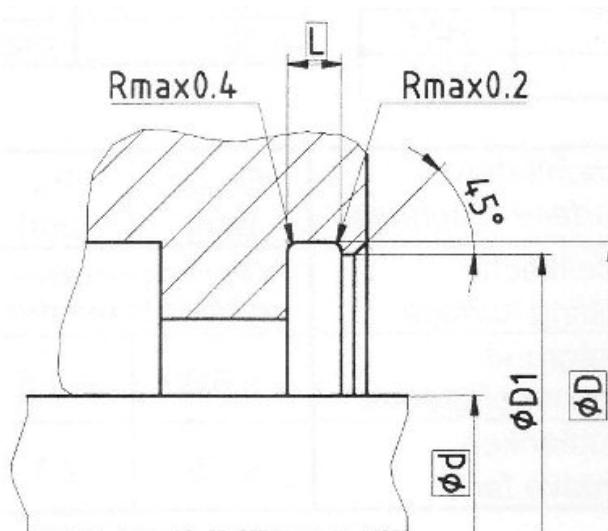


Operating Parameters:

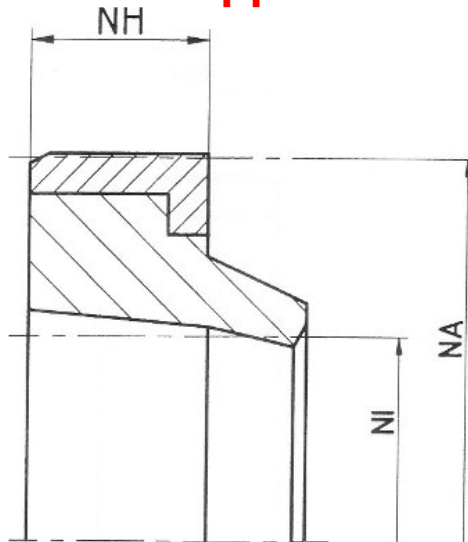
Material	Temperature	max. surface speed
Cast Nylon	-50 'C ... +80 'c	1 m/s

The stated operation conditions represent general indications. It is recommended not to use all maximum values simultaneously. Surface speed limits apply only to the presence of adequate lubrication film.

SEAL HOUSING



Seal Data Sheet Applies to Profile: A14

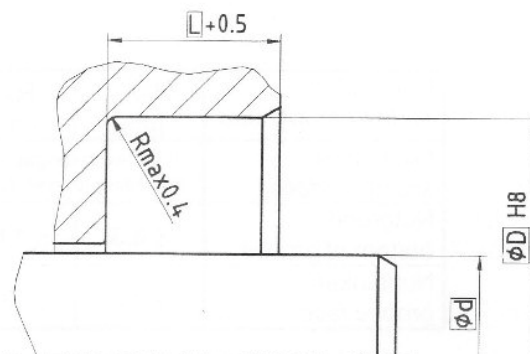


Operating Parameters:

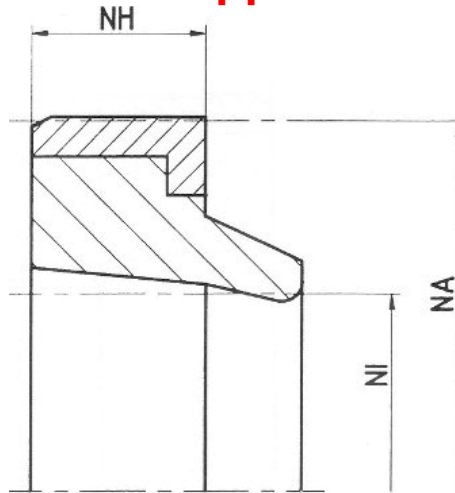
Wiping Part	Housing	Temperature	max. surface speed
H-PUR		-20 'C ... +80 'c	4 m/s
ECOPUR	Cast Nylon/PTFE	-30 'C ... +80 'c	4 m/s
H-ECOPUR		-20 'C ... +80 'c	4 m/s
Nitrile Rubber (NBR)		-30 'C ... +80 'c	4 m/s
EPDM Rubber		-50 'C ... +80 'c	4 m/s
Viton Rubber		-50 'C ... +80 'c	4 m/s

The stated operation conditions represent general indications. It is recommended not to use all maximum values simultaneously. Surface speed limits apply only to the presence of adequate lubrication film.

SEAL HOUSING



Seal Data Sheet Applies to Profile: A15



Operating Parameters:

Wiping Part	Housing	Temperature	max. surface speed
H-PUR		-20 'C ... +80 'c	4 m/s
ECOPUR	Cast Nylon/PTFE	-30 'C ... +80 'c	4 m/s
H-ECOPUR		-20 'C ... +80 'c	4 m/s
Nitrile Rubber (NBR)		-30 'C ... +80 'c	4 m/s
EPDM Rubber		-50 'C ... +80 'c	4 m/s
Viton Rubber		-50 'C ... +80 'c	4 m/s

The stated operation conditions represent general indications. It is recommended not to use all maximum values simultaneously. Surface speed limits apply only to the presence of adequate lubrication film.

SEAL HOUSING

