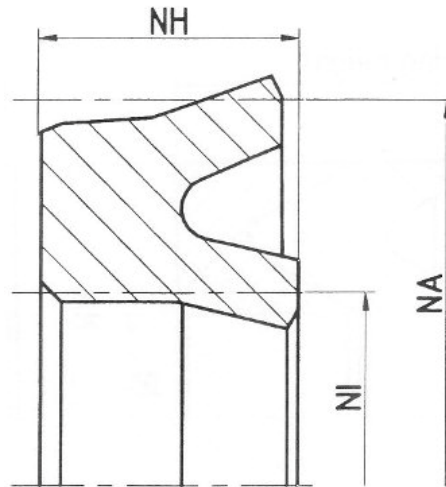


Seal Data Sheet Applies to Profile: K1

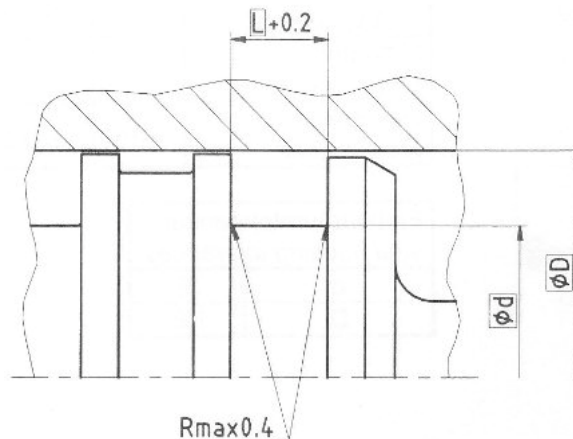


Operating Parameters:

Material	Temperature	Max. Surface Speed	Max. Pressure
H-PUR	-30 'C ... +110 'C	0.5 m/s	400 bar (40 MPa)
ECOPUR	-30 'C ... +110 'C	0.5 m/s	400 bar (40 MPa)
H-ECOPUR	-20 'C ... +100 'C	0.5 m/s	400 bar (40 MPa)
Nitrile Rubber (NBR)	-30 'C ... +100 'c	0.5 m/s	160 bar (40 MPa)
Viton Rubber	-20 'C ... +200 'c	0.5 m/s	160 bar (40 MPa)
EPDM Rubber	-50 'C ... +150 'c	0.5 m/s	160 bar (40 MPa)

The stated operation conditions represent general indications. It is recommended not to use all maximum values simultaneously. Surface speed limits apply only to the presence of adequate lubrication film.

SEAL HOUSING



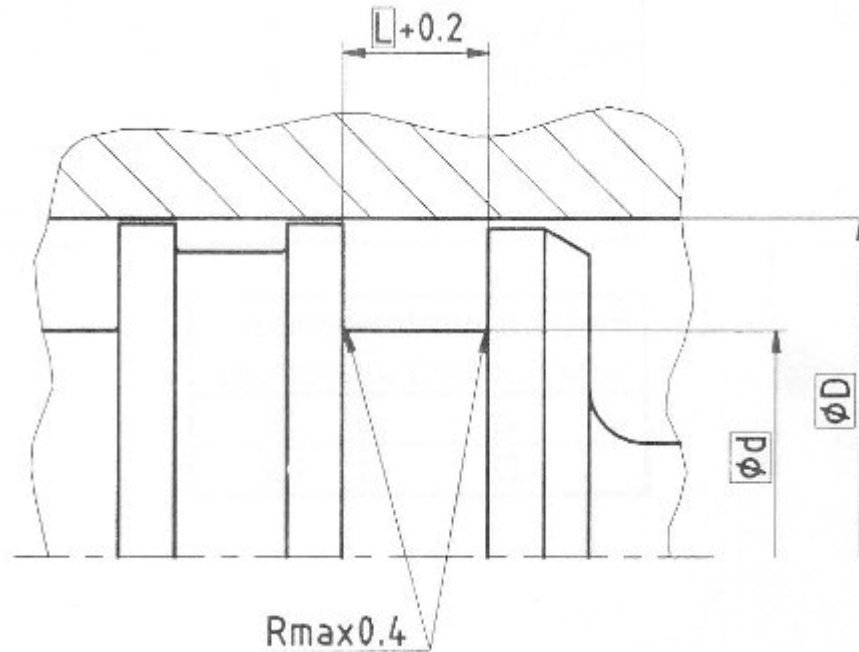
Seal Data Sheet Applies to Profile: K1-P

Operating Parameters:

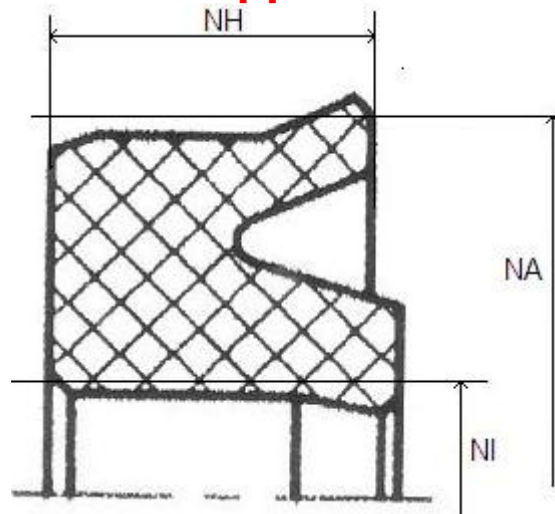
Material	Temperature	Max. Surface Speed	Max. Pressure
H-PUR	-30 'C ... +110 'C	0.5 m/s	400 bar (40 MPa)
ECOPUR	-30 'C ... +110 'C	0.5 m/s	400 bar (40 MPa)
H-ECOPUR	-20 'C ... +100 'C	0.5 m/s	400 bar (40 MPa)

The stated operation conditions represent general indications. It is recommended not to use all maximum values simultaneously. Surface speed limits apply only to the presence of adequate lubrication film.

SEAL HOUSING



Seal Data Sheet Applies to Profile: K1-R

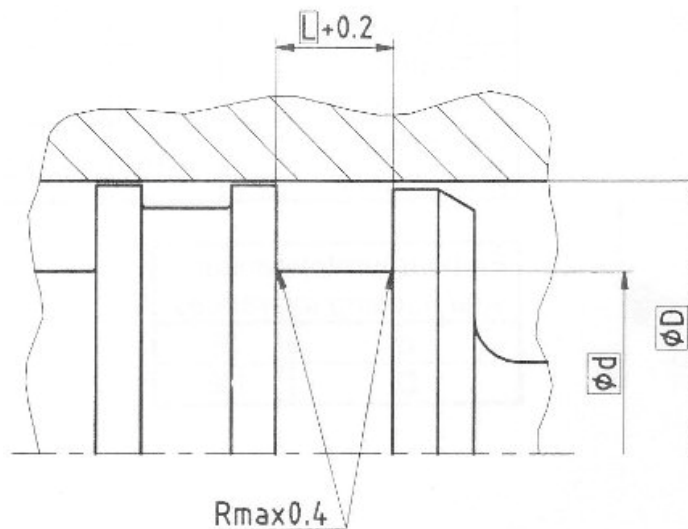


Operating Parameters:

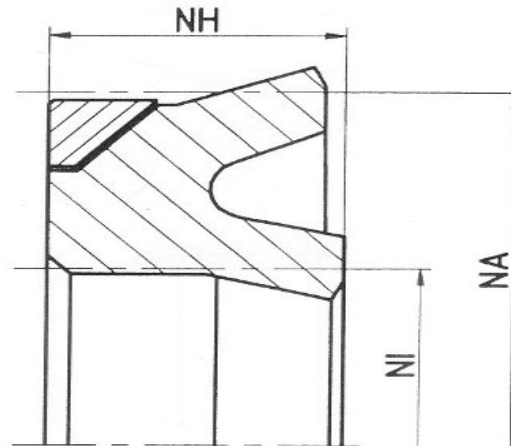
Material	Temperature	Max. Surface Speed	Max. Pressure
Nitrile Rubber (NBR)	-30 'C ... +100 'c	0.5 m/s	160 bar (40 MPa)
Viton Rubber	-20 'C ... +200 'c	0.5 m/s	160 bar (40 MPa)
EPDM Rubber	-50 'C ... +150 'c	0.5 m/s	160 bar (40 MPa)

The stated operation conditions represent general indications. It is recommended not to use all maximum values simultaneously. Surface speed limits apply only to the presence of adequate lubrication film.

SEAL HOUSING



Seal Data Sheet Applies to Profile: K2

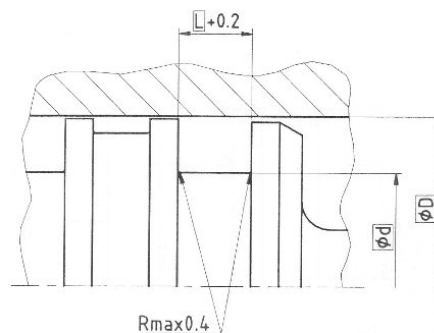


Operating Parameters:

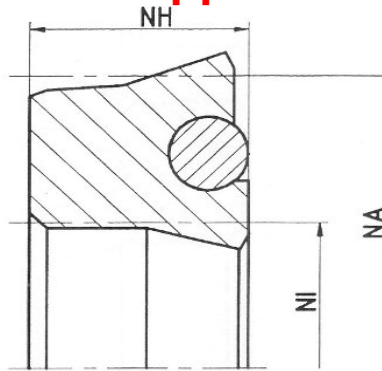
Sealing Element	Back-up Ring	Temperature	Max. Surface Speed	Max. Pressure
H-PUR	Cast Nylon	-30'c ... +100 'c	0.5 m/s	400 bar (40 MPa)
ECOPUR		-30'c ... +100 'c	0.5 m/s	400 bar (40 MPa)
H-ECOPUR		-20'c ... +100 'c	0.5 m/s	400 bar (40 MPa)
Nitrile Rubber (NBR)		-30'c ... +100 'c	0.5 m/s	250 bar (25 MPa)
Viton Rubber	PTFE (glmos 2 filled)	-20'c ... +200 'c	0.5 m/s	250 bar (25 MPa)
EPDM Rubber	Cast Nylon	-50'c ... +100 'c	0.5 m/s	250 bar (25 MPa)
	PTFE (glmos 2 filled)	-50'c ... +150 'c	0.5 m/s	250 bar (25 MPa)
	PTFE	-50'c ... +150 'c	0.5 m/s	250 bar (25 MPa)

The stated operation conditions represent general indications. It is recommended not to use all maximum values simultaneously. Surface speed limits apply only to the presence of adequate lubrication film.

SEAL HOUSING



Seal Data Sheet Applies to Profile: K3



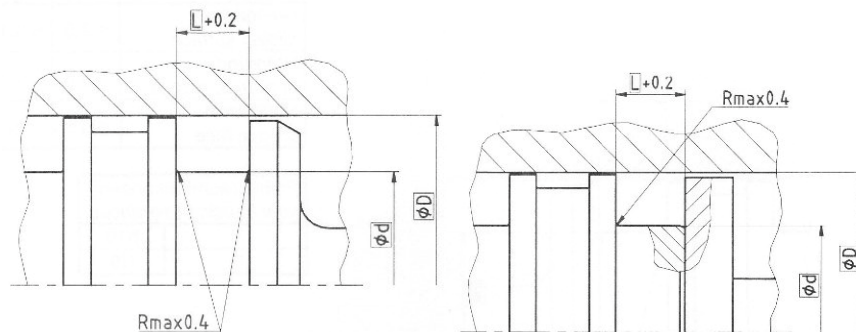
Operating Parameters:

Sealing Element	O Ring	Temperature	Max. Surface Speed	Max. Pressure
ECOPUR	NBR (70 Shore A)	-30°C ... +100 °C	0.5 m/s	400 bar (40 MPa)
ECOPUR	NBR (70 Shore A)	-30°C ... +100 °C	0.5 m/s	400 bar (40 MPa)
H-ECOPUR	NBR (70 Shore A)	-20°C ... +100 °C	0.5 m/s	400 bar (40 MPa)
PTFE	Viton (75 Shore A)	-20°C ... +200 °C	1 m/s	250 bar (25 MPa)
PTFE (glmos 2 filled)	Viton (75 Shore A)	-20°C ... +200 °C	1 m/s	250 bar (25 MPa)

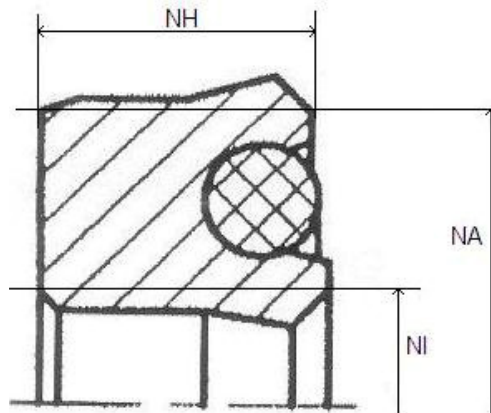
The stated operation conditions represent general indications. It is recommended not to use all maximum values simultaneously. Surface speed limits apply only to the presence of adequate lubrication film.

SEAL HOUSING

Surface Roughness	PUR-Version		PTFE-Version	
	R _{tmax} [μm]	R _a [μm]	R _{tmax} [μm]	R _a [μm]
Sliding Surface	≤ 2,5	≤ 0,1-0,5	≤ 2	≤ 0,05-0,3
Bottom of Groove	≤ 6,3	≤ 1,6	≤ 10	≤ 1,6
Groove Face	≤ 15	≤ 3	≤ 10	≤ 1,6



Seal Data Sheet Applies to Profile: K3-P



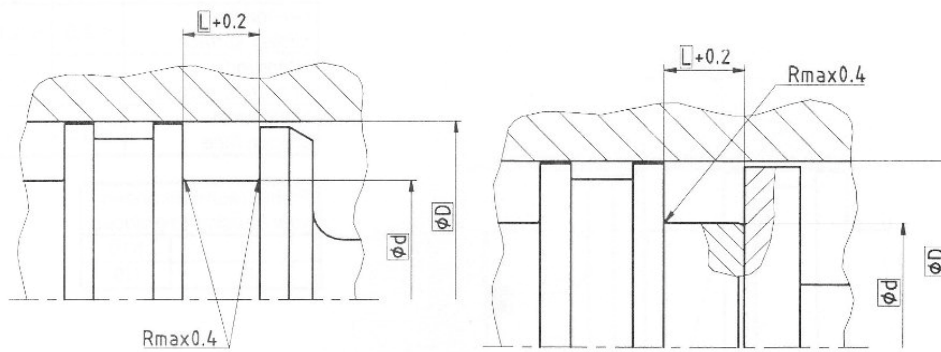
Operating Parameters:

Sealing Element	O Ring	Temperature	Max. Surface Speed	Max. Pressure
H-PUR	NBR (70 Shore A)	-30'c ... +100 'c	0.5 m/s	400 bar (40 MPa)
ECOPUR	NBR (70 Shore A)	-30'c ... +100 'c	0.5 m/s	400 bar (40 MPa)
H-ECOPUR		-20'c ... +100 'c	0.5 m/s	400 bar (40 MPa)

The stated operation conditions represent general indications. It is recommended not to use all maximum values simultaneously. Surface speed limits apply only to the presence of adequate lubrication film.

SEAL HOUSING

Surface Roughness	PUR-Version		PTFE-Version	
	R _{tmax} [μm]	R _a [μm]	R _{tmax} [μm]	R _a [μm]
Sliding Surface	≤ 2,5	≤ 0,1-0,5	≤ 2	≤ 0,05-0,3
Bottom of Groove	≤ 6,3	≤ 1,6	≤ 10	≤ 1,6
Groove Face	≤ 15	≤ 3	≤ 10	≤ 1,6



Seal Data Sheet Applies to Profile: K3-F

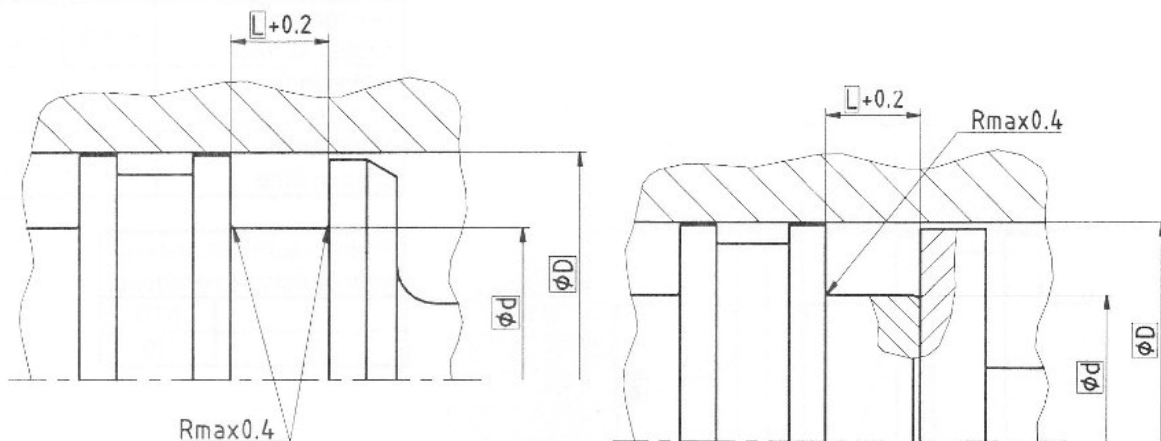
Operating Parameters:

Sealing Element	O Ring	Temperature	Max. Surface Speed	Max. Pressure
PTFE	Viton Rubber	-30'c ... +100 'c	0.5 m/s	400 bar (40 MPa)

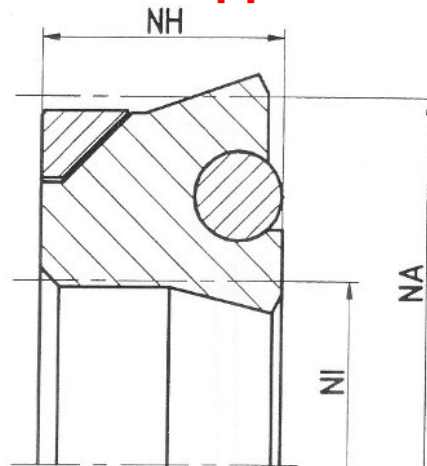
The stated operation conditions represent general indications. It is recommended not to use all maximum values simultaneously. Surface speed limits apply only to the presence of adequate lubrication film.

SEAL HOUSING

Surface Roughness	PUR-Version		PTFE-Version	
	R _{tmax} [μm]	R _a [μm]	R _{tmax} [μm]	R _a [μm]
Sliding Surface	≤ 2,5	≤ 0,1-0,5	≤ 2	≤ 0,05-0,3
Bottom of Groove	≤ 6,3	≤ 1,6	≤ 10	≤ 1,6
Groove Face	≤ 15	≤ 3	≤ 10	≤ 1,6



Seal Data Sheet Applies to Profile: K4

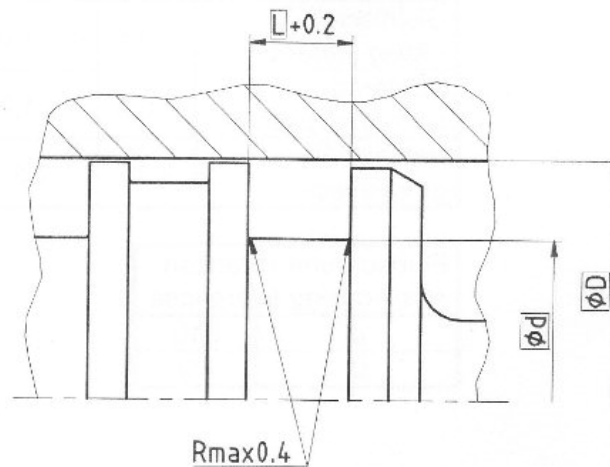


Operating Parameters:

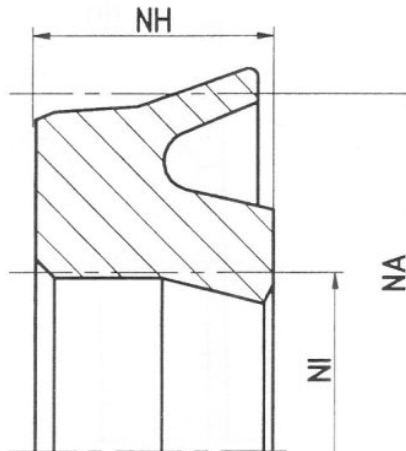
Sealing Element	O Ring	Back-up Ring	Temperature	Max. Surface Speed	Max. Pressure
H-PUR	NBR (70 Shore A)	Cast Nylon	-30'c ... +100 'c	0.5 m/s	400 bar (40 MPa)
ECOPUR	NBR (70 Shore A)	Cast Nylon	-30'c ... +100 'c	0.5 m/s	400 bar (40 MPa)
H-ECOPUR			-20'c ... +100 'c	0.5 m/s	400 bar (40 MPa)

The stated operation conditions represent general indications. It is recommended not to use all maximum values simultaneously. Surface speed limits apply only to the presence of adequate lubrication film.

SEAL HOUSING



Seal Data Sheet Applies to Profile: K5

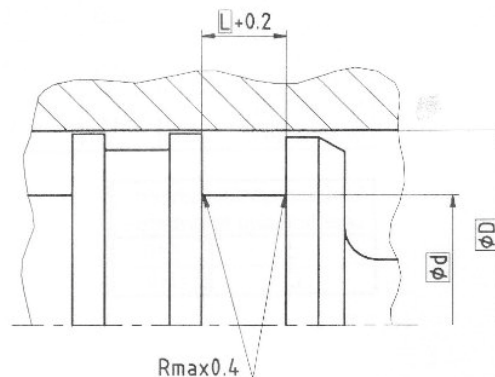


Operating Parameters:

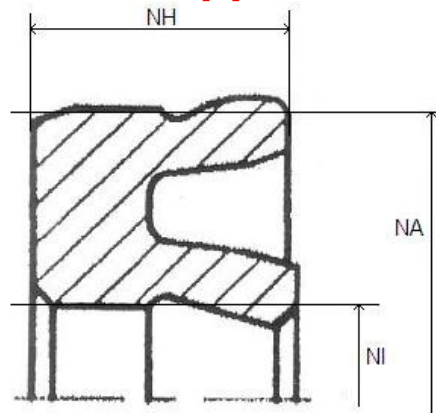
Sealing Element	Temperature	Max. Surface Speed	Max. Pressure
H-PUR	-30'c ... +110 'c	1 m/s	25 bar (2.5 MPa)
ECOPUR	-30'c ... +110 'c	1 m/s	25 bar (2.5 MPa)
H-ECOPUR	-20'c ... +110 'c	1 m/s	25 bar (2.5 MPa)
Nitrile Rubber (NBR)	-30'c ... +200 'c	1 m/s	25 bar (2.5 MPa)
Viton Rubber	-20'c ... +200 'c	1 m/s	25 bar (2.5 MPa)
EPDM Rubber	-50'c ... +200 'c	1 m/s	25 bar (2.5 MPa)

The stated operation conditions represent general indications. It is recommended not to use all maximum values simultaneously. Surface speed limits apply only to the presence of adequate lubrication film.

SEAL HOUSING



Seal Data Sheet Applies to Profile: K5-P

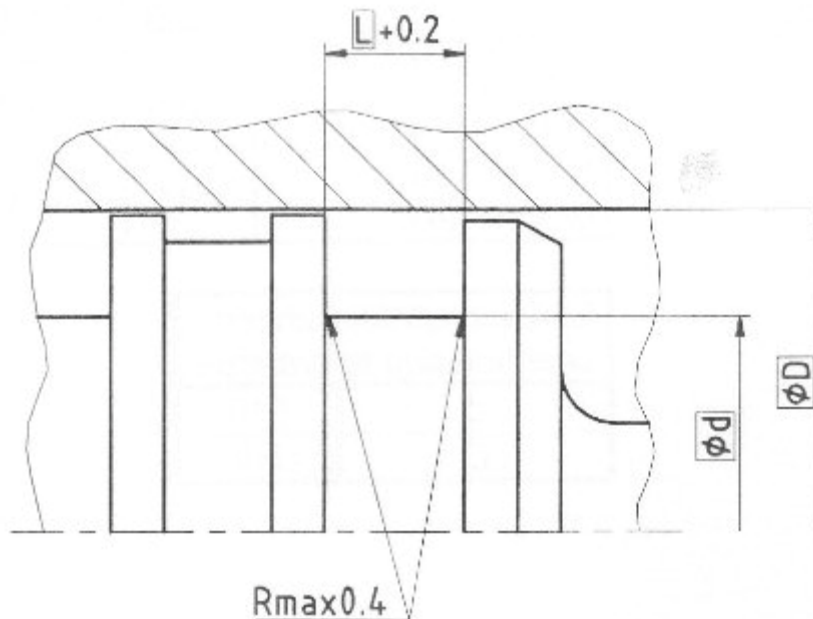


Operating Parameters:

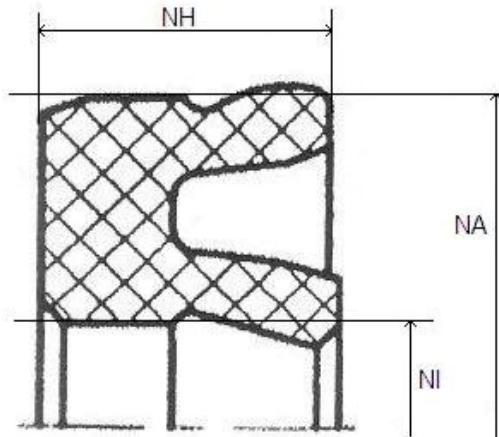
Material	Temperature	Max. Surface Speed	Max. Pressure
H-PUR	-30'c ... +110 'c	1 m/s	25 bar (2.5 MPa)
ECOPUR	-30'c ... +110 'c	1 m/s	25 bar (2.5 MPa)
H-ECOPUR	-20'c ... +110 'c	1 m/s	25 bar (2.5 MPa)

The stated operation conditions represent general indications. It is recommended not to use all maximum values simultaneously. Surface speed limits apply only to the presence of adequate lubrication film.

SEAL HOUSING



Seal Data Sheet Applies to Profile: K5-R

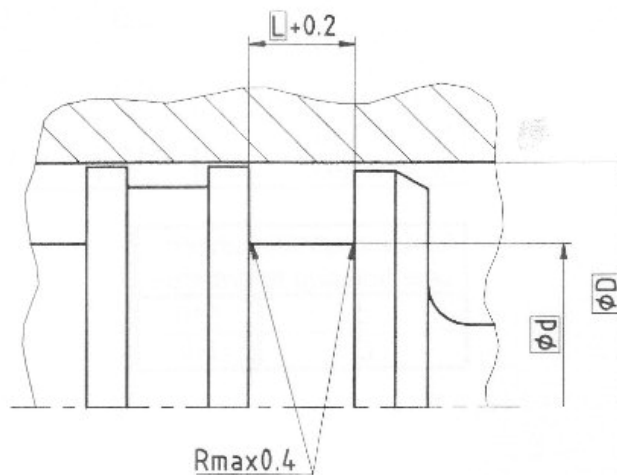


Operating Parameters:

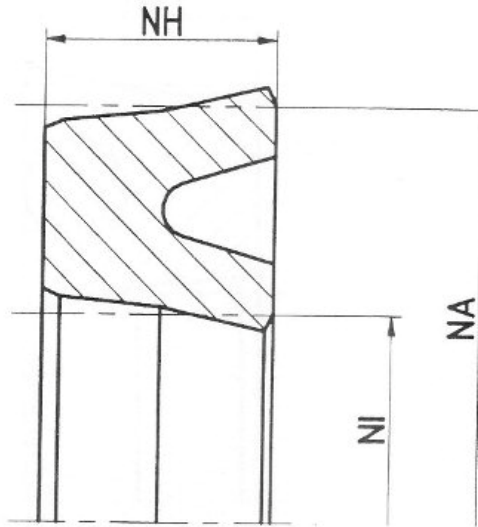
Material	Temperature	Max. Surface Speed	Max. Pressure
Nitrile Rubber (NBR)	-30'c ... +200 'c	1 m/s	25 bar (2.5 MPa)
Viton Rubber	-20'c ... +200 'c	1 m/s	25 bar (2.5 MPa)
EPDM Rubber	-50'c ... +200 'c	1 m/s	25 bar (2.5 MPa)

The stated operation conditions represent general indications. It is recommended not to use all maximum values simultaneously. Surface speed limits apply only to the presence of adequate lubrication film.

SEAL HOUSING



Seal Data Sheet Applies to Profile: K6

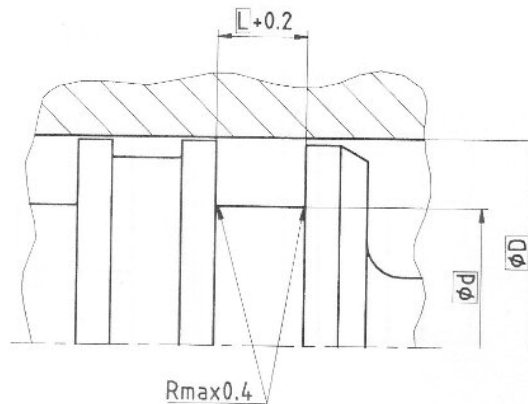


Operating Parameters:

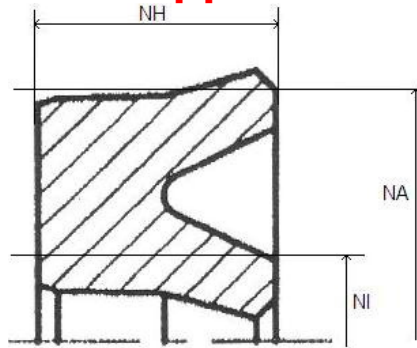
Material	Temperature	Max. Surface Speed	Max. Pressure
H-PUR	-30 'C ... +110 'C	0.5 m/s	400 bar (40 MPa)
ECOPUR	-30 'C ... +110 'C	0.5 m/s	400 bar (40 MPa)
H-ECOPUR	-20 'C ... +110 'C	0.5 m/s	400 bar (40 MPa)
Nitrile Rubber (NBR)	-30 'C ... +100 'C	0.5 m/s	160 bar (16 MPa)
Viton Rubber	-20 'C ... +200 'C	0.5 m/s	160 bar (16 MPa)
EPDM Rubber	-50 'C ... +150 'C	0.5 m/s	160 bar (16 MPa)

The stated operation conditions represent general indications. It is recommended not to use all maximum values simultaneously. Surface speed limits apply only to the presence of adequate lubrication film.

SEAL HOUSING



Seal Data Sheet Applies to Profile: K6-P

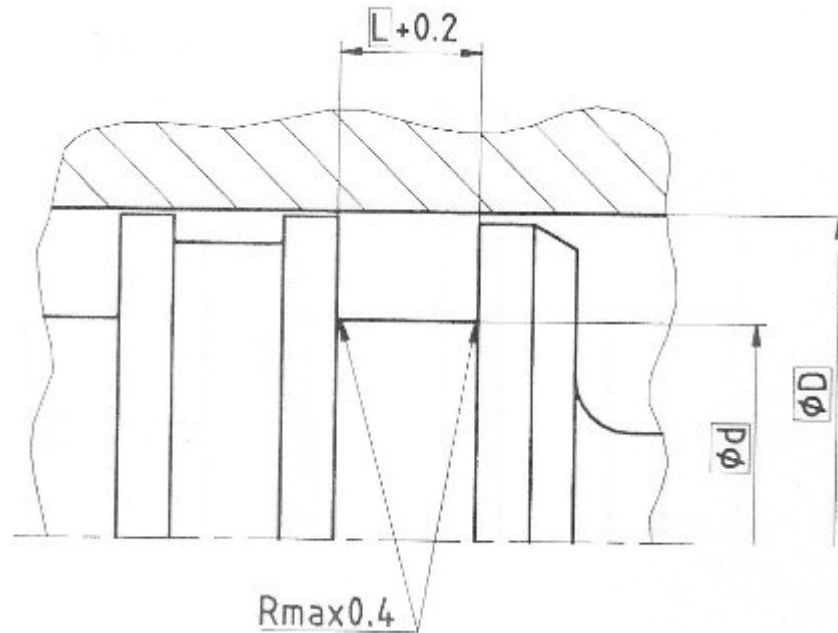


Operating Parameters:

Material	Temperature	Max. Surface Speed	Max. Pressure
H-PUR	-30 °C ... +110 °C	0.5 m/s	400 bar (40 MPa)
ECOPUR	-30 °C ... +110 °C	0.5 m/s	400 bar (40 MPa)
H-ECOPUR	-20 °C ... +110 °C	0.5 m/s	400 bar (40 MPa)

The stated operation conditions represent general indications. It is recommended not to use all maximum values simultaneously. Surface speed limits apply only to the presence of adequate lubrication film.

SEAL HOUSING



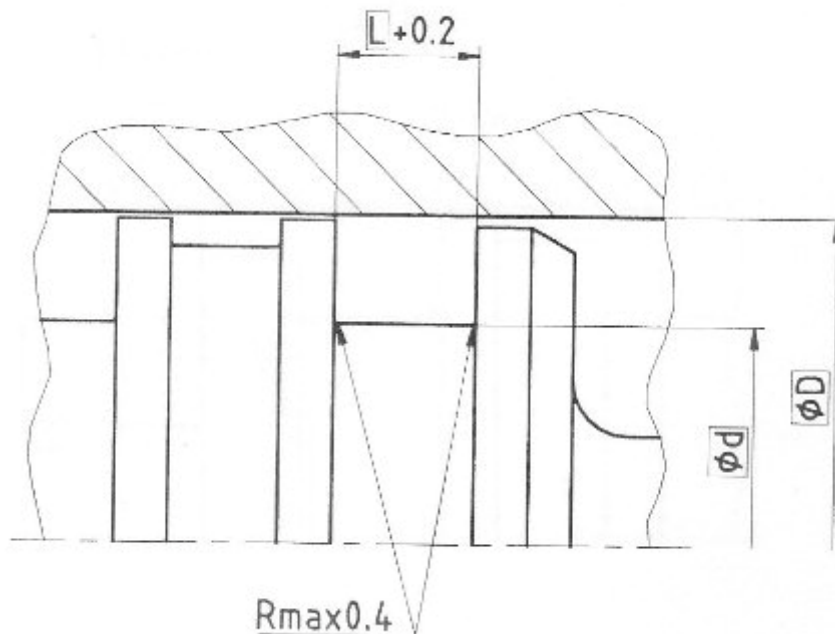
Seal Data Sheet **Applies to Profile: K6-R**

Operating Parameters:

Material	Temperature	Max. Surface Speed	Max. Pressure
Nitrile Rubber (NBR)	-30 'C ... +100 'C	0.5 m/s	160 bar (16 MPa)
Viton Rubber	-20 'C ... +200 'C	0.5 m/s	160 bar (16 MPa)
EPDM Rubber	-50 'C ... +150 'C	0.5 m/s	160 bar (16 MPa)

The stated operation conditions represent general indications. It is recommended not to use all maximum values simultaneously. Surface speed limits apply only to the presence of adequate lubrication film.

SEAL HOUSING



Seal Data Sheet Applies to Profile: K7

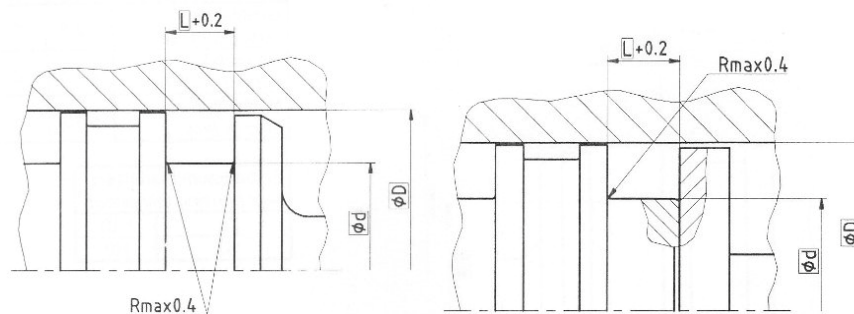
Operating Parameters:

Sealing Element	O Ring	Temperature	Max. Surface Speed	Max. Pressure
H-PUR	NBR (70 Shore A)	-30 'C ... +100 'C	0.5 m/s	400 bar (40 MPa)
ECOPUR	NBR (70 Shore A)	-30 'C ... +100 'C	0.5 m/s	400 bar (40 MPa)
H-ECOPUR	NBR (70 Shore A)	-20 'C ... +100 'C	0.5 m/s	400 bar (40 MPa)
PTFE	Viton (75 Shore)	-20 'C ... +200 'C	1 m/s	250 bar (25 MPa)
PTFE (glmos 2 filled)	Viton (75 Shore)	-20 'C ... +200 'C	1 m/s	250 bar (25 MPa)

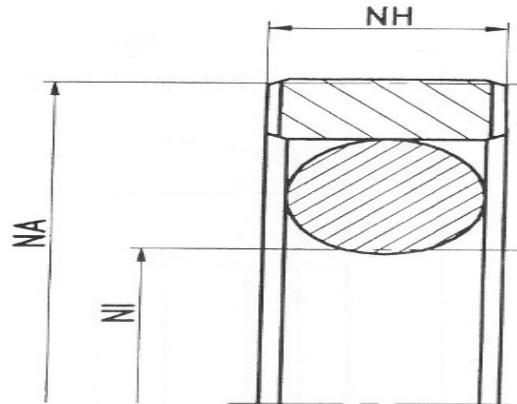
The stated operation conditions represent general indications. It is recommended not to use all maximum values simultaneously. Surface speed limits apply only to the presence of adequate lubrication film.

SEAL HOUSING

Surface Roughness	PUR-Version		PTFE-Version	
	R _{tmax} [μm]	R _a [μm]	R _{tmax} [μm]	R _a [μm]
Sliding Surface	≤ 2,5	≤ 0,1-0,5	≤ 2	≤ 0,05-0,3
Bottom of Groove	≤ 6,3	≤ 1,6	≤ 10	≤ 1,6
Groove Face	≤ 15	≤ 3	≤ 10	≤ 1,6



Seal Data Sheet Applies to Profile: K8

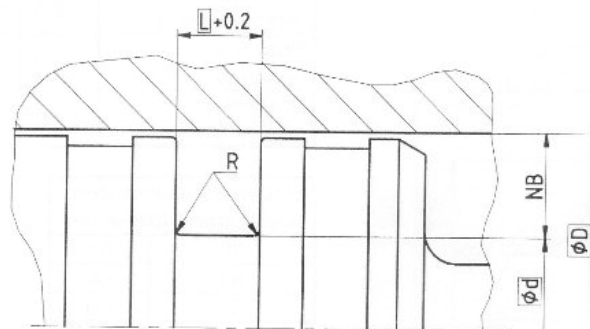


Operating Parameters:

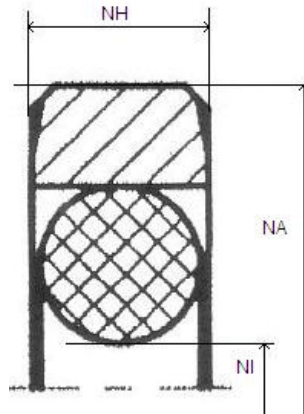
Glide Ring	Energizer	Temperature	Max. Surface Speed	Max. Pressure
H-PUR	Viton/NBR	-40 °C ... +200 °	up to 10 m/s	400 bar (40 MPa)
ECOPUR	Viton/NBR	-40 °C ... +200 °	up to 10 m/s	400 bar (40 MPa)
H ECOPUR				
PTFE				
NBR				
Viton Rubber				
EPDM Rubber				
PTFE (glmos 2 filled)				
PTFE (40% bronze filled)				

The stated operation conditions represent general indications. It is recommended not to use all maximum values simultaneously. Surface speed limits apply only to the presence of adequate lubrication film.

SEAL HOUSING



Seal Data Sheet Applies to Profile: K8-D

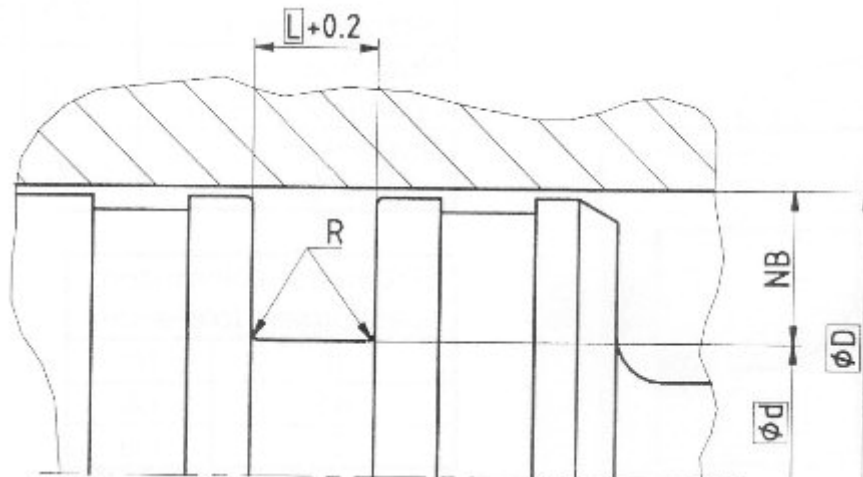


Operating Parameters:

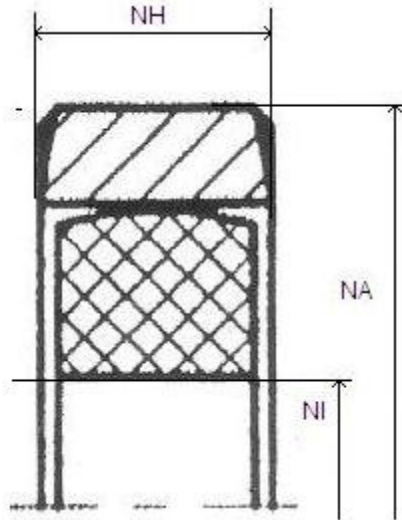
Glide Ring	Energizer	Temperature	Max. Surface Speed	Max. Pressure
PTFE (glmos 2 filled)	Viton Rubber	-40 'C ... +200 'C	up to 10 m/s	400 bar (40 MPa)
PTFE (40% bronze filled)	Nitrile Rubber	-40 'C ... +200 'C	up to 10 m/s	400 bar (40 MPa)

The stated operation conditions represent general indications. It is recommended not to use all maximum values simultaneously. Surface speed limits apply only to the presence of adequate lubrication film.

SEAL HOUSING



Seal Data Sheet Applies to Profile: K8-DS

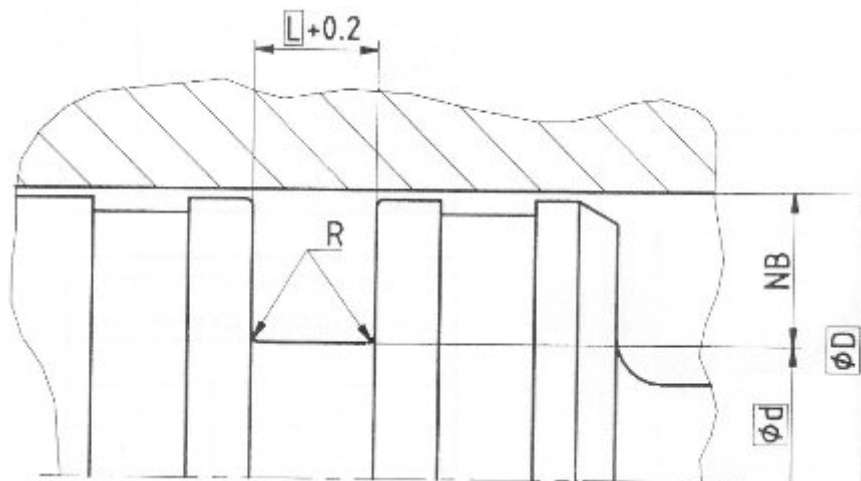


Operating Parameters:

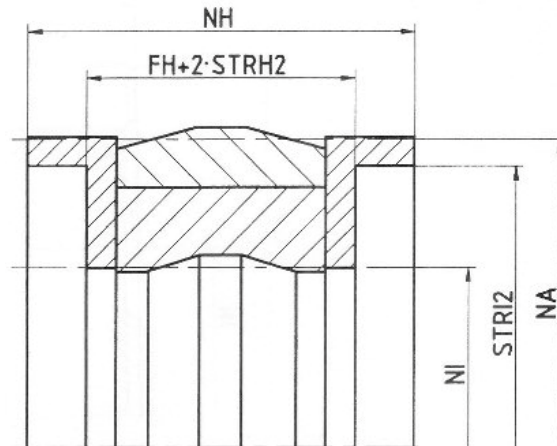
Glide Ring	Energizer	Temperature	Max. Surface Speed	Max. Pressure
PTFE (glmos 2 filled)	Viton Rubber	-40 'C ... +200 'C	up to 10 m/s	400 bar (40 MPa)
PTFE (40% bronze filled)	Nitrile Rubber	-40 'C ... +200 'C	up to 10 m/s	400 bar (40 MPa)

The stated operation conditions represent general indications. It is recommended not to use all maximum values simultaneously. Surface speed limits apply only to the presence of adequate lubrication film.

SEAL HOUSING



Seal Data Sheet Applies to Profile: K9



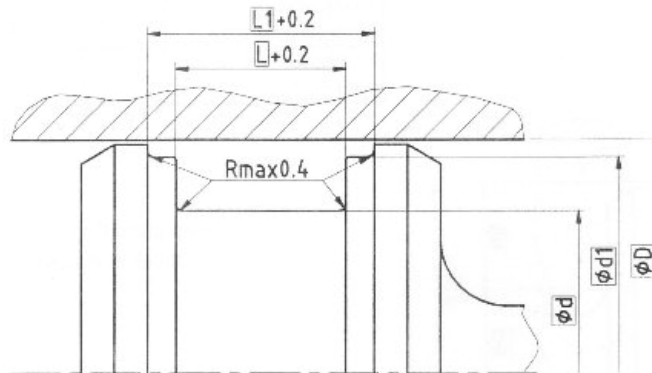
Operating Parameters:

diameter range: up to 525 mm

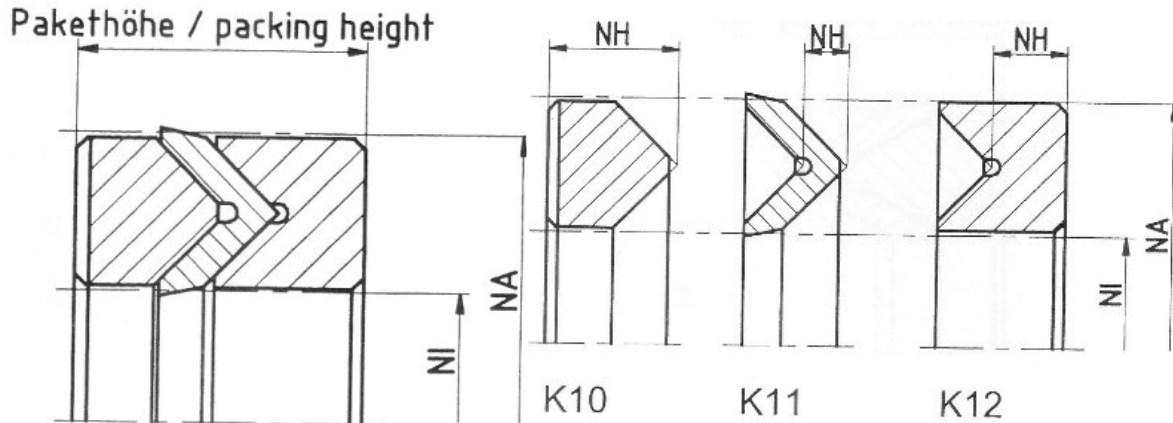
Energizer	Sealing Element	Back-up Ring	Temperature	Max. Surface Speed	Max. Pressure
	ECOPUR	Cast Nylon	-30 °C ... +100 °C	0.5 m/s	400 bar (40 MPa)
Nitrile Rubber (NBR)	ECOPUR	Cast Nylon	-30 °C ... +100 °C	0.5 m/s	400 bar (40 MPa)
	H-ECOPUR		-20 °C ... +100 °C	0.7 m/s	400 bar (40 MPa)

The stated operation conditions represent general indications. It is recommended not to use all maximum values simultaneously. Surface speed limits apply only to the presence of adequate lubrication film.

SEAL HOUSING



Seal Data Sheet Applies to Profile: K10-11-12

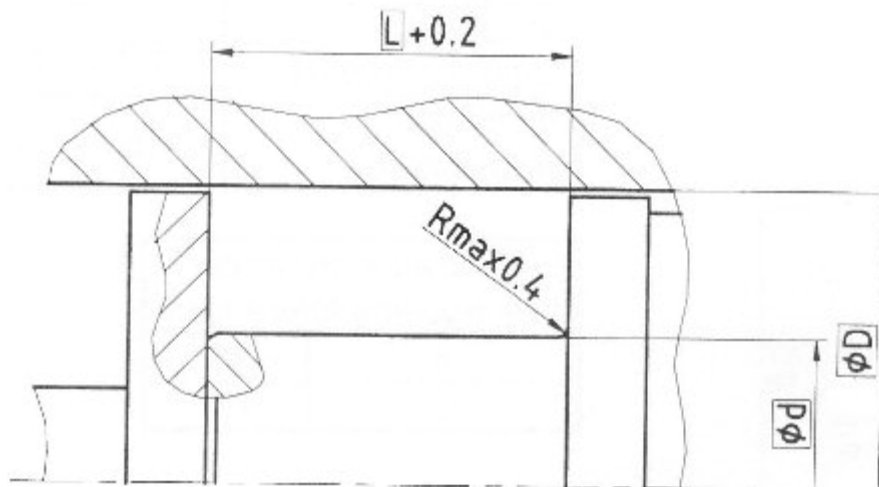


Operating Parameters:

K10	K11	K12	Temperature	Max. Surface Speed	Max. Pressure
Cast Nylon	H-PUR	Cast Nylon	-30 °C ... +100 °C	0.5 m/s	500 bar (50 MPa)
Cast Nylon	ECOPUR	Cast Nylon	-30 °C ... +100 °C	0.5 m/s	500 bar (50 MPa)
	H-ECOPUR		-20 °C ... +100 °C	0.5 m/s	500 bar (50 MPa)
PTFE (glmos 2 filled)	Nitrile Rubber (NBR)	PTFE (glmos 2 filled)	-30 °C ... +100 °C	0.5 m/s	250 bar (25 MPa)
	Viton Rubber		-20 °C ... +200 °C	0.5 m/s	250 bar (25 MPa)
	EPDM Rubber		-50 °C ... +150 °C	0.5 m/s	250 bar (25 MPa)
	PTFE (glmos 2 filled)		-50 °C ... +150 °C	0.5 m/s	250 bar (25 MPa)
PTFE	PTFE	PTFE	-50 °C ... +150 °C	0.5 m/s	250 bar (25 MPa)

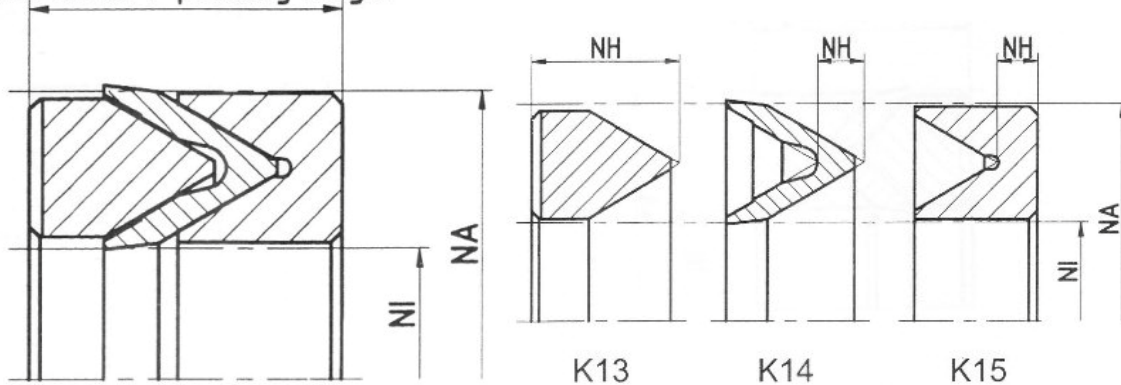
The stated operation conditions represent general indications. It is recommended not to use all maximum values simultaneously. Surface speed limits apply only to the presence of adequate lubrication film.

SEAL HOUSING



Seal Data Sheet Applies to Profile: K13-14-15

Pakethöhe / packing height

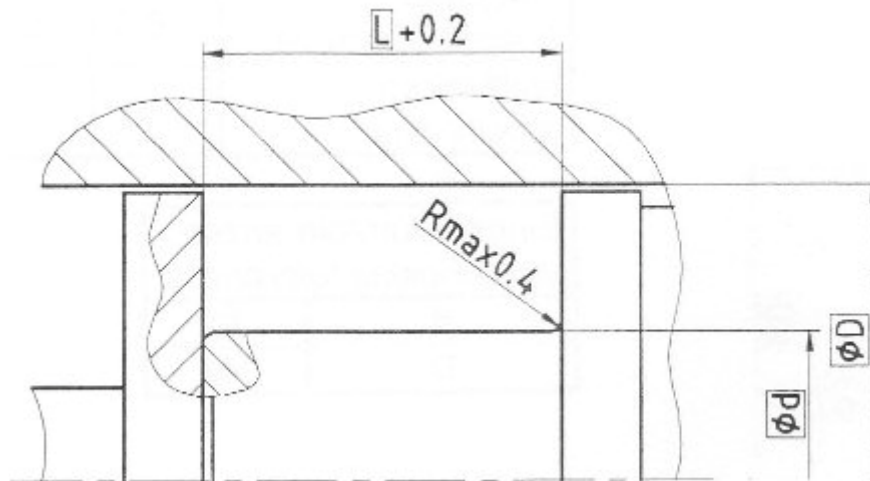


Operating Parameters:

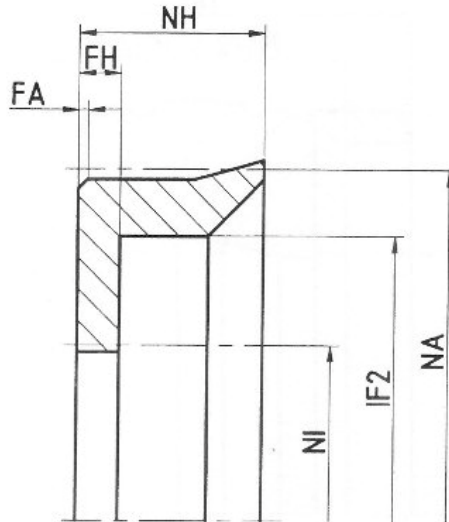
K13	K14	K15	Temperature	Max. Surface Speed	Max. Pressure
Cast Nylon	H-PUR	Cast Nylon	-30 °C ... +100 °C	0.5 m/s	600 bar (60 MPa)
Cast Nylon	ECOPUR	Cast Nylon	-30 °C ... +100 °C	0.5 m/s	600 bar (60 MPa)
	H-ECOPUR		-20 °C ... +100 °C	0.5 m/s	600 bar (60 MPa)

The stated operation conditions represent general indications. It is recommended not to use all maximum values simultaneously. surface speed limits apply only to the presence of adequate lubrication film.

SEAL HOUSING



Seal Data Sheet Applies to Profile: K16

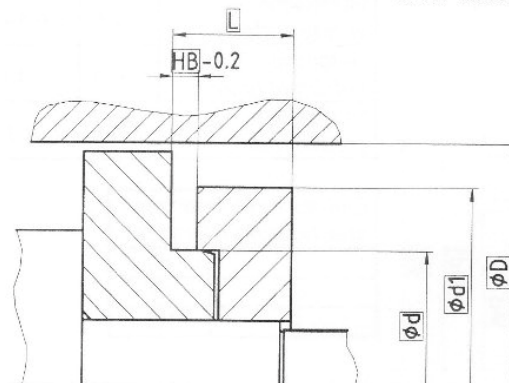


Operating Parameters:

Material	Temperature	Max. Surface Speed	Max. Pressure
H-PUR	-30 °C ... +110 °C	0.5 m/s	10 bar... 160 bar (1MPa... 16 MPa)
ECOPUR	-30 °C ... +110 °C	0.5 m/s	10 bar... 160 bar (1MPa... 16 MPa)
H-ECOPUR	-20 °C ... +110 °C	0.5 m/s	
Nitrile Rubber (NBR)	-30 °C ... +100 °C	0.5 m/s	10 bar... 160 bar (1MPa... 16 MPa)
Viton Rubber	-20 °C ... +200 °C	0.5 m/s	
EPDM Rubber	-50 °C ... +150 °C	0.7 m/s	

The stated operation conditions represent general indications. It is recommended not to use all maximum values simultaneously. Surface speed limits apply only to the presence of adequate lubrication film.

SEAL HOUSING



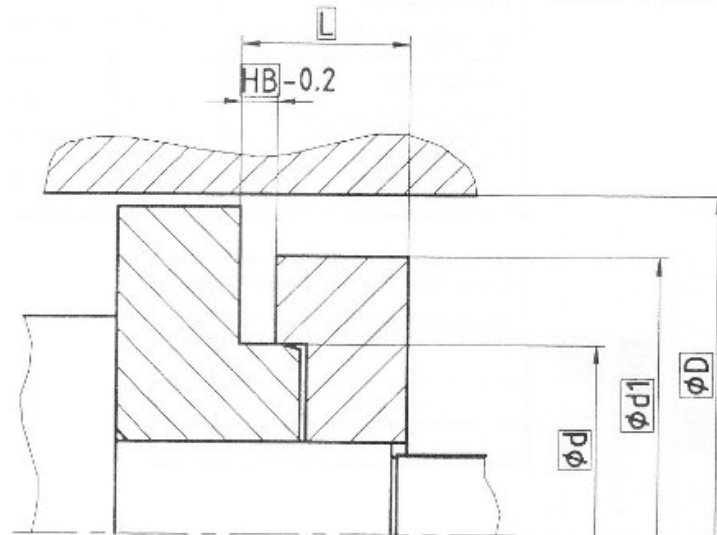
Seal Data Sheet **Applies to Profile: K16-A**

Operating Parameters:

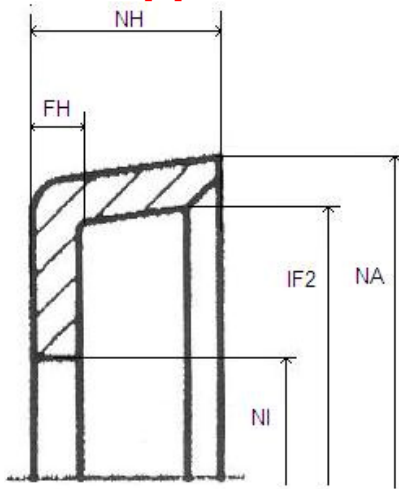
Material	Temperature	Max. Surface Speed	Max. Pressure
H-PUR	-30 °C ... +110 °C	0.5 m/s	10 bar... 160 bar (1MPa... 16 MPa)
ECOPUR	-30 °C ... +110 °C	0.5 m/s	10 bar... 160 bar (1MPa... 16 MPa)
H-ECOPUR	-20 °C ... +110 °C	0.5 m/s	
Nitrile Rubber (NBR)	-30 °C ... +100 °C	0.5 m/s	10 bar... 160 bar (1MPa... 16 MPa)
Viton Rubber	-20 °C ... +200 °C	0.5 m/s	
EPDM Rubber	-50 °C ... +150 °C	0.7 m/s	

The stated operation conditions represent general indications. It is recommended not to use all maximum values simultaneously. Surface speed limits apply only to the presence of adequate lubrication film.

SEAL HOUSING



Seal Data Sheet Applies to Profile: K16-B

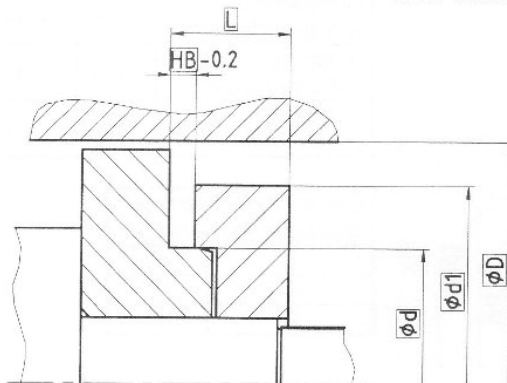


Operating Parameters:

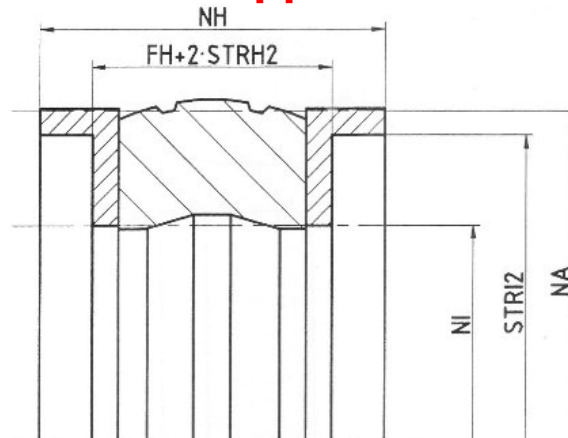
Material	Temperature	Max. Surface Speed	Max. Pressure
H-PUR	-30 °C ... +110 °C	0.5 m/s	10 bar... 160 bar (1MPa... 16 MPa)
ECOPUR	-30 °C ... +110 °C	0.5 m/s	10 bar... 160 bar (1MPa... 16 MPa)
H-ECOPUR	-20 °C ... +110 °C	0.5 m/s	10 bar... 160 bar (1MPa... 16 MPa)
Nitrile Rubber (NBR)	-30 °C ... +100 °C	0.5 m/s	10 bar... 160 bar (1MPa... 16 MPa)
Viton Rubber	-20 °C ... +200 °C	0.5 m/s	
EPDM Rubber	-50 °C ... +150 °C	0.7 m/s	

The stated operation conditions represent general indications. It is recommended not to use all maximum values simultaneously. Surface speed limits apply only to the presence of adequate lubrication film.

SEAL HOUSING



Seal Data Sheet Applies to Profile: K17

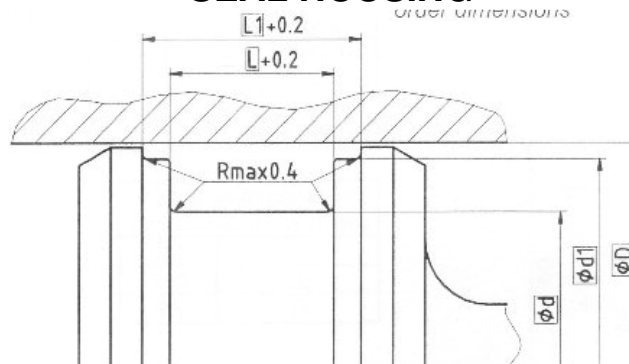


Operating Parameters:

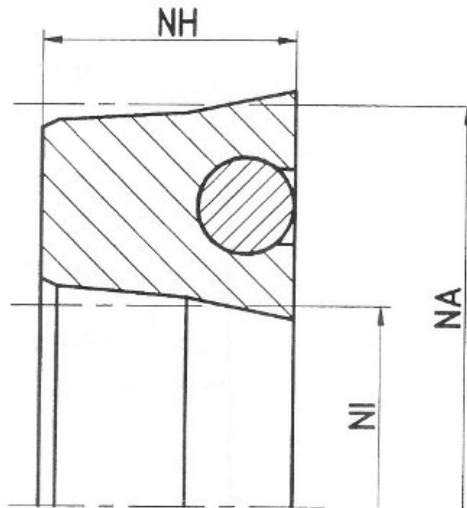
Sealing Element	Back-up Ring	Temperature	Max. Surface Speed	Max. Pressure
H-PUR	Cast Nylon	-30 'C ... +100 'C	0.5 m/s	250 bar (25 MPa)
ECOPUR		-30 'C ... +100 'C	0.5 m/s	250 bar (25 MPa)
H-ECOPUR		-20 'C ... +100 'C	0.5 m/s	250 bar (25 MPa)
Nitrile Rubber (NBR)		-30 'C ... +100 'C	0.5 m/s	250 bar (25 MPa)
Viton Rubber	PTFE	-20 'C ... +200 'C	0.5 m/s	250 bar (25 MPa)
	PTFE (glmos 2 filled)	-20 'C ... +200 'C	0.5 m/s	250 bar (25 MPa)

The stated operation conditions represent general indications. It is recommended not to use all maximum values simultaneously. Surface speed limits apply only to the presence of adequate lubrication film.

SEAL HOUSING



Seal Data Sheet Applies to Profile: K18

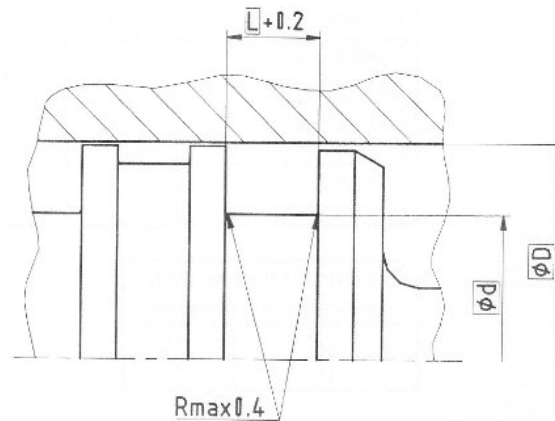


Operating Parameters:

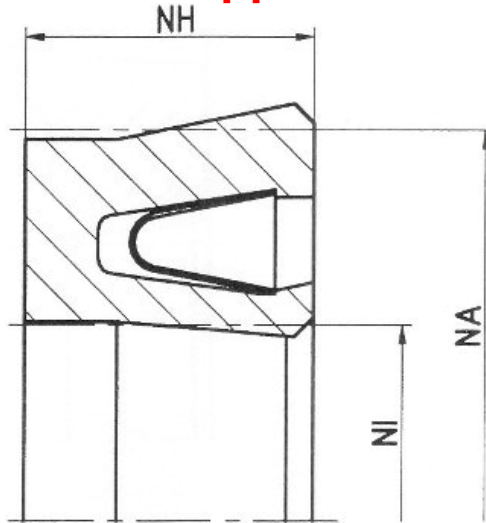
Sealing Element	O Ring	Temperature	Max. Surface Speed	Max. Pressure
H-PUR	NBR (70 Shore A)	-30 'C ... +100 'C	0.5 m/s	400 bar (40 MPa)
ECOPUR	NBR (70 Shore A)	-30 'C ... +100 'C	0.5 m/s	400 bar (40 MPa)
H-ECOPUR	NBR (70 Shore A)	-20 'C ... +100 'C	0.5 m/s	400 bar (40 MPa)

The stated operation conditions represent general indications. It is recommended not to use all maximum values simultaneously. Surface speed limits apply only to the presence of adequate lubrication film.

SEAL HOUSING



Seal Data Sheet Applies to Profile: K19

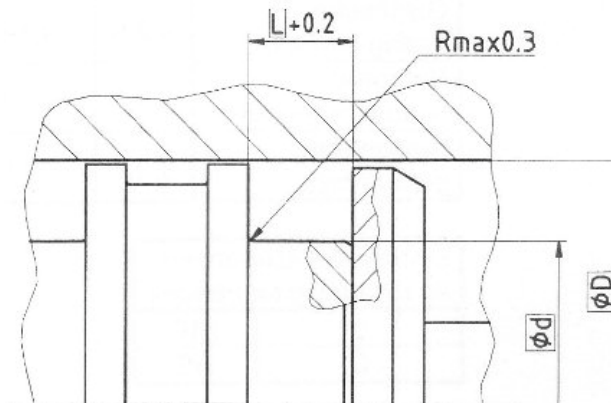


Operating Parameters:

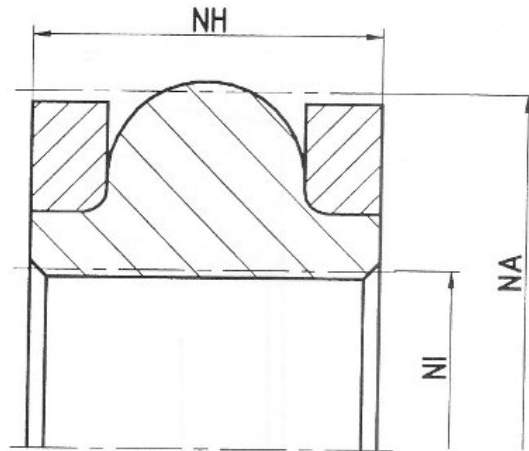
Sealing Element	Spring	Temperature	Max. Surface Speed	Max. Pressure
PTFE	S S Spring	-200 'C ... +260 'C	15 m/s	300 bar (30 MPa)
PTFE (glmos 2 filled)				
PTFE (40% bronze filled)				

The stated operation conditions represent general indications. It is recommended not to use all maximum values simultaneously. Surface speed limits apply only to the presence of adequate lubrication film.

SEAL HOUSING



Seal Data Sheet Applies to Profile: K20

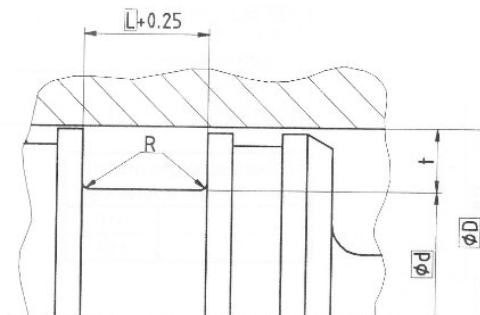


Operating Parameters:

Sealing Element	Back-up Ring	Temperature	Max. Surface Speed	Max. Pressure
Nitrile Rubber (NBR)	Cast Nylon/PTFE	-30 'C ... +100 'C	0.5 m/s	700 bar (70 MPa)
H-PUR		-30 'C ... +100 'C	0.5 m/s	700 bar (70 MPa)
ECOPUR		-30 'C ... +100 'C	0.5 m/s	700 bar (70 MPa)
H ECOPUR		-30 'C ... +100 'C	0.5 m/s	700 bar (70 MPa)
EPDM Rubber		-30 'C ... +100 'C	0.5 m/s	700 bar (70 MPa)
Viton Rubber		-30 'C ... +100 'C	0.5 m/s	700 bar (70 MPa)

The stated operation conditions represent general indications. It is recommended not to use all maximum values simultaneously. Surface speed limits apply only to the presence of adequate lubrication film.

SEAL HOUSING



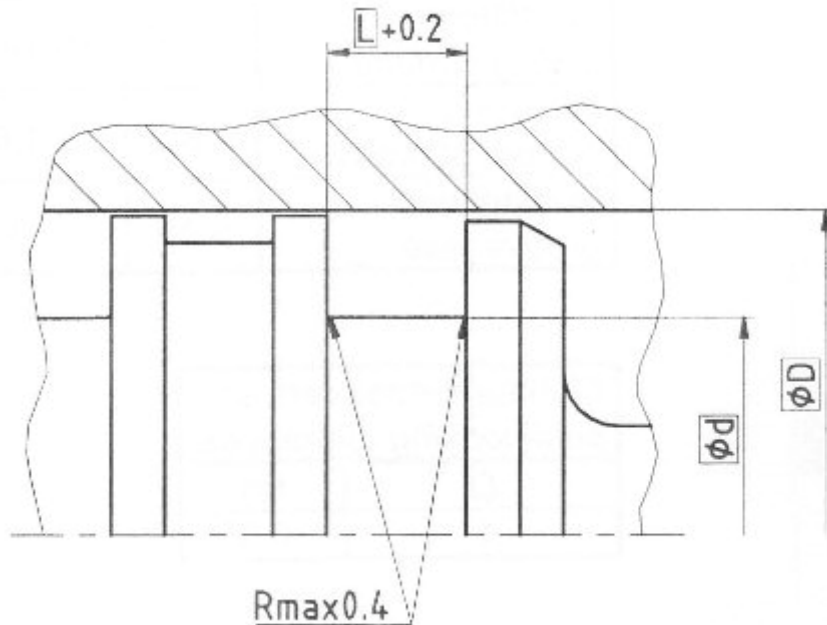
Seal Data Sheet Applies to Profile: K21

Operating Parameters:

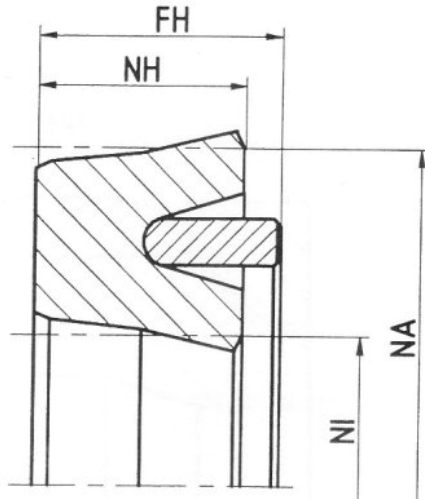
Sealing Element	O Ring	Temperature	Max. Surface Speed	Max. Pressure
H-PUR	NBR (70 Shore A)	-30 °C ... +100 °C	0.5 m/s	400 bar (40 MPa)
ECOPUR	NBR (70 Shore A)	-30 °C ... +100 °C	0.5 m/s	400 bar (40 MPa)
H-ECOPUR	NBR (70 Shore A)	-20 °C ... +100 °C	0.5 m/s	400 bar (40 MPa)

The stated operation conditions represent general indications. It is recommended not to use all maximum values simultaneously. Surface speed limits apply only to the presence of adequate lubrication film.

SEAL HOUSING



Seal Data Sheet **Applies to Profile: K22**

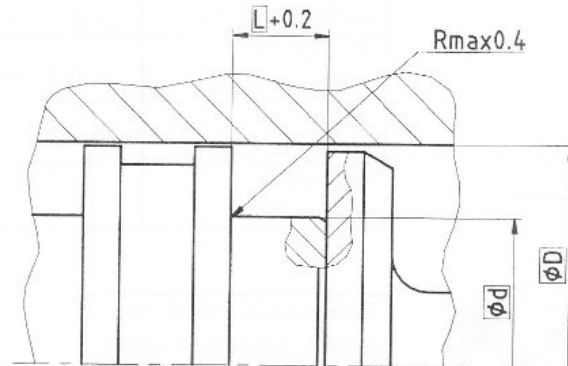


Operating Parameters:

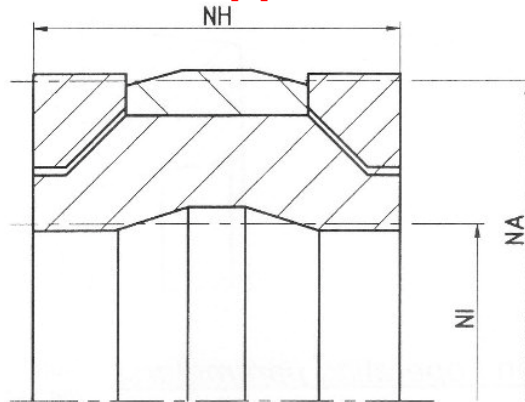
Sealing Element	Retainer Ring	Temperature	Max. Surface Speed	Max. Pressure
H-PUR	Cast Nylon	-30 'C ... +100 'C	0.5 m/s	400 bar (40 MPa)
ECOPUR	Cast Nylon	-30 'C ... +100 'C	0.5 m/s	400 bar (40 MPa)
H-ECOPUR		-20 'C ... +100 'C	0.5 m/s	400 bar (40 MPa)
Nitrile Rubber (NBR)		-30 'C ... +100 'C	0.5 m/s	160 bar (16 MPa)
Viton Rubber	PTFE (glmos 2 filled)	-20 'C ... +200 'C	0.5 m/s	160 bar (16 MPa)
EPDM Rubber	Cast Nylon	-50 'C ... +100 'C	0.5 m/s	160 bar (16 MPa)
		-50 'C ... +100 'C	0.5 m/s	160 bar (16 MPa)
	PTFE	-50 'C ... +150 'C	0.5 m/s	160 bar (16 MPa)

The stated operation conditions represent general indications. It is recommended not to use all maximum values simultaneously. Surface speed limits apply only to the presence of adequate lubrication film.

SEAL HOUSING



Seal Data Sheet Applies to Profile: K23



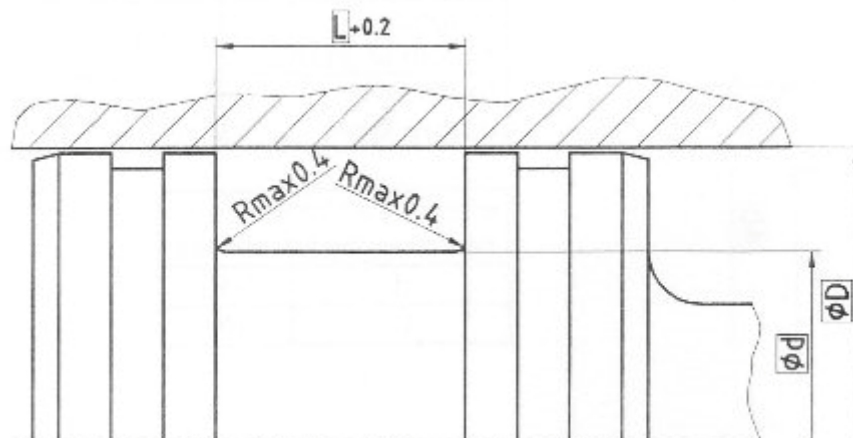
Operating Parameters:

diameter range: up to 525 mm

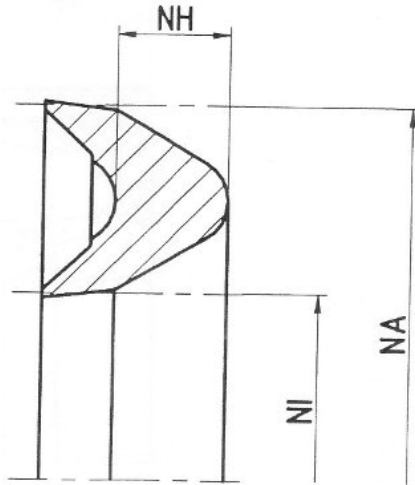
Energizer	Sealing Element	Back-up Ring	Temperature	Max. Surface Speed	Max. Pressure
Nitrile Rubber (NBR)	H-PUR	Cast Nylon	-30 °C ... +100 °C	0.5 m/s	400 bar (40 MPa)
Nitrile Rubber (NBR)	ECOPUR	Cast Nylon	-30 °C ... +100 °C	0.5 m/s	400 bar (40 MPa)
	H-ECOPUR		-20 °C ... +100 °C	0.5 m/s	400 bar (40 MPa)

The stated operation conditions represent general indications. It is recommended not to use all maximum values simultaneously. Surface speed limits apply only to the presence of adequate lubrication film.

SEAL HOUSING



Seal Data Sheet Applies to Profile: K24



Operating Parameters:

Material	Temperature	Max. Surface Speed	Max. Pressure
H-PUR	-30 'c ... +110 'c	0.5 m/s	500 bar (50 MPa)
ECOPUR	-30 'c ... +110 'c	0.5 m/s	500 bar (50 MPa)
H-ECOPUR	-20 'c ... +110 'c	0.5 m/s	500 bar (50 MPa)
Nitrile Rubber (NBR)	-30 'c ... +100 'c	0.5 m/s	400 bar (40 MPa)
Viton Rubber	-20 'c ... +200 'c	0.5 m/s	400 bar (40 MPa)
EPDM Rubber	-50 'c ... +150 'c	0.5 m/s	400 bar (40 MPa)

The stated operation conditions represent general indications. It is recommended not to use all maximum values simultaneously. Surface speed limits apply only to the presence of adequate lubrication film.

SEAL HOUSING

